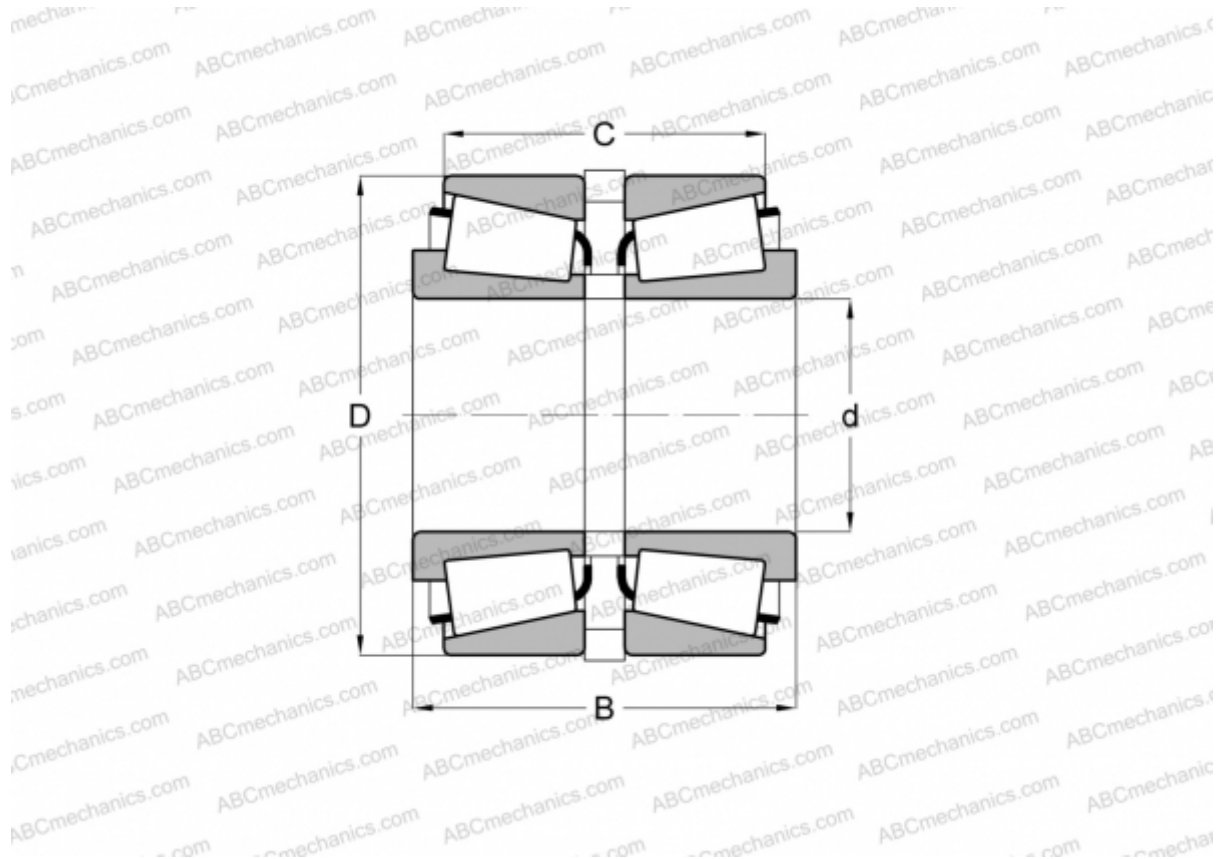


X32009X/Y32009X + JX4505A/K143262R

TIMKEN

Tapered roller bearings

TYPE: Roller bearings, Tapered, Tapered roller bearing assembly, Type 2S, two single-row assemblies with snap ring spacer



Technical specification

DIMENSIONS, MM

d	45,000
D	75,000
B	44,560
C	35,560

WEIGHT, KG 0,750

MANUFACTURER [TIMKEN](#)