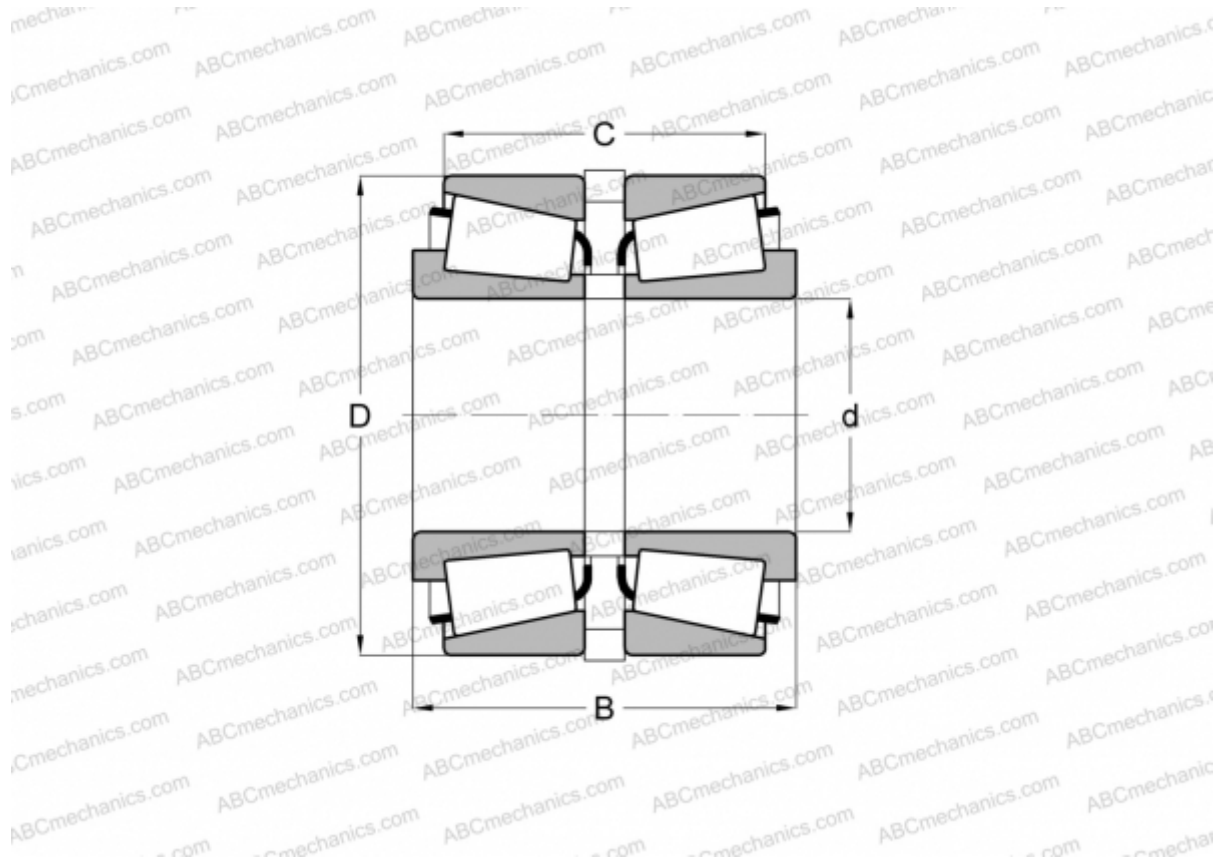


NP118297/NP422278 + LM102949XB/K161783R TIMKEN

Tapered roller bearings

TYPE: Roller bearings, Tapered, Tapered roller bearing assembly, Type 2S, two single-row assemblies with snap ring spacer



Technical specification

DIMENSIONS, MM

d	45,242
D	73,431
B	42,672
C	35,052

WEIGHT, KG 0,660

MANUFACTURER [TIMKEN](#)