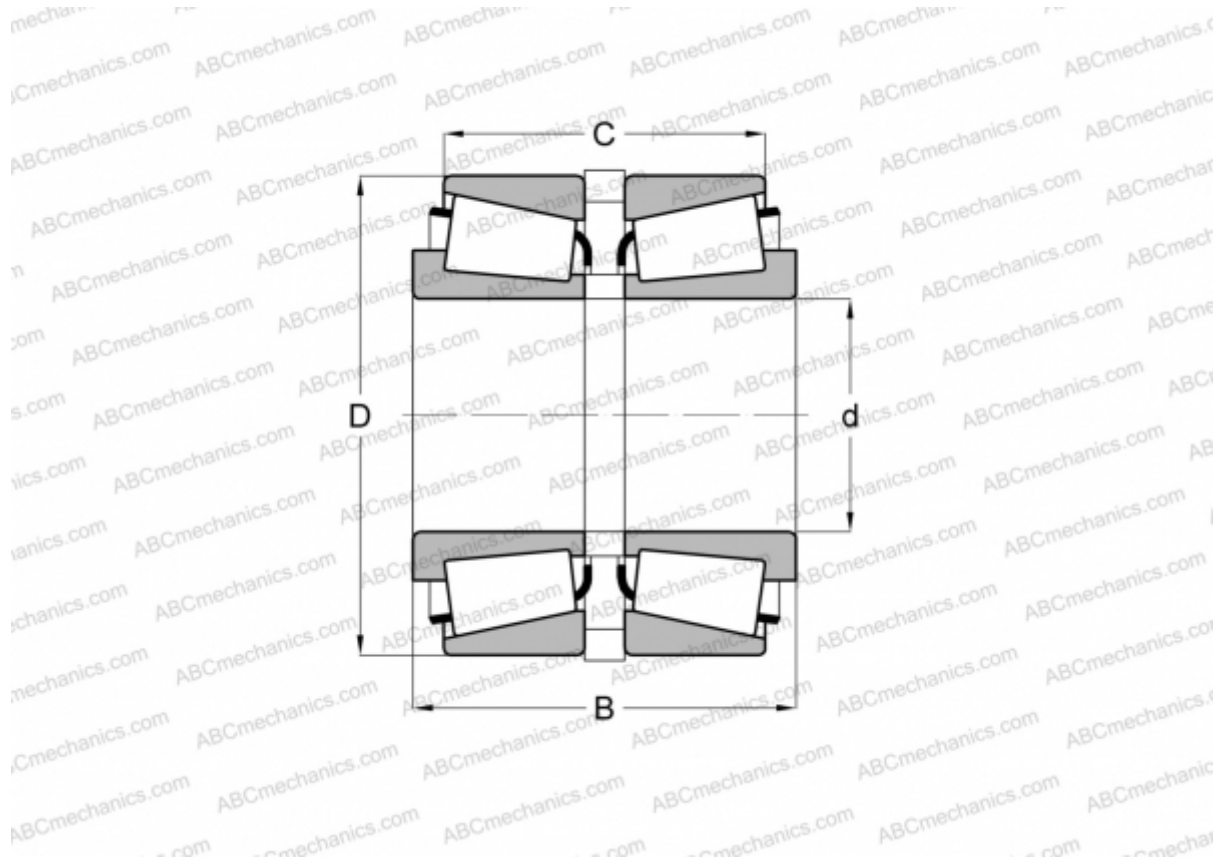


LM603049AS/LM603011 + K109152R/K109151R TIMKEN

Tapered roller bearings

TYPE: Roller bearings, Tapered, Tapered roller bearing assembly, Type 2S, two single-row assemblies with snap ring spacer



Technical specification

DIMENSIONS, MM

d	45,242
D	77,788
B	44,247
C	34,722

WEIGHT, KG 0,790

MANUFACTURER [TIMKEN](#)