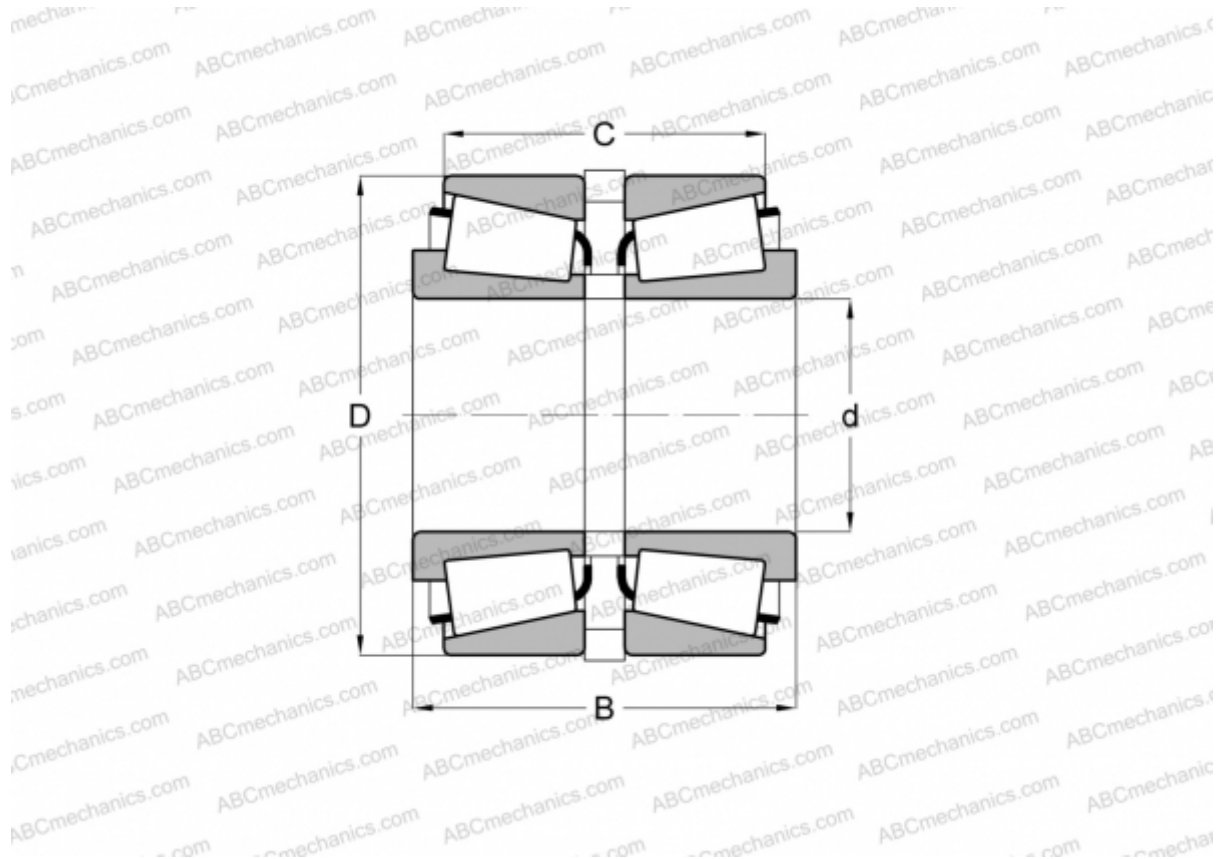


39580/39521 + X3S-39580/K326057R

TIMKEN

Tapered roller bearings

TYPE: Roller bearings, Tapered, Tapered roller bearing assembly, Type 2S, two single-row assemblies with snap ring spacer



Technical specification

DIMENSIONS, MM

d	57,150
D	112,712
B	66,675
C	53,975

WEIGHT, KG 2,930

MANUFACTURER [TIMKEN](#)