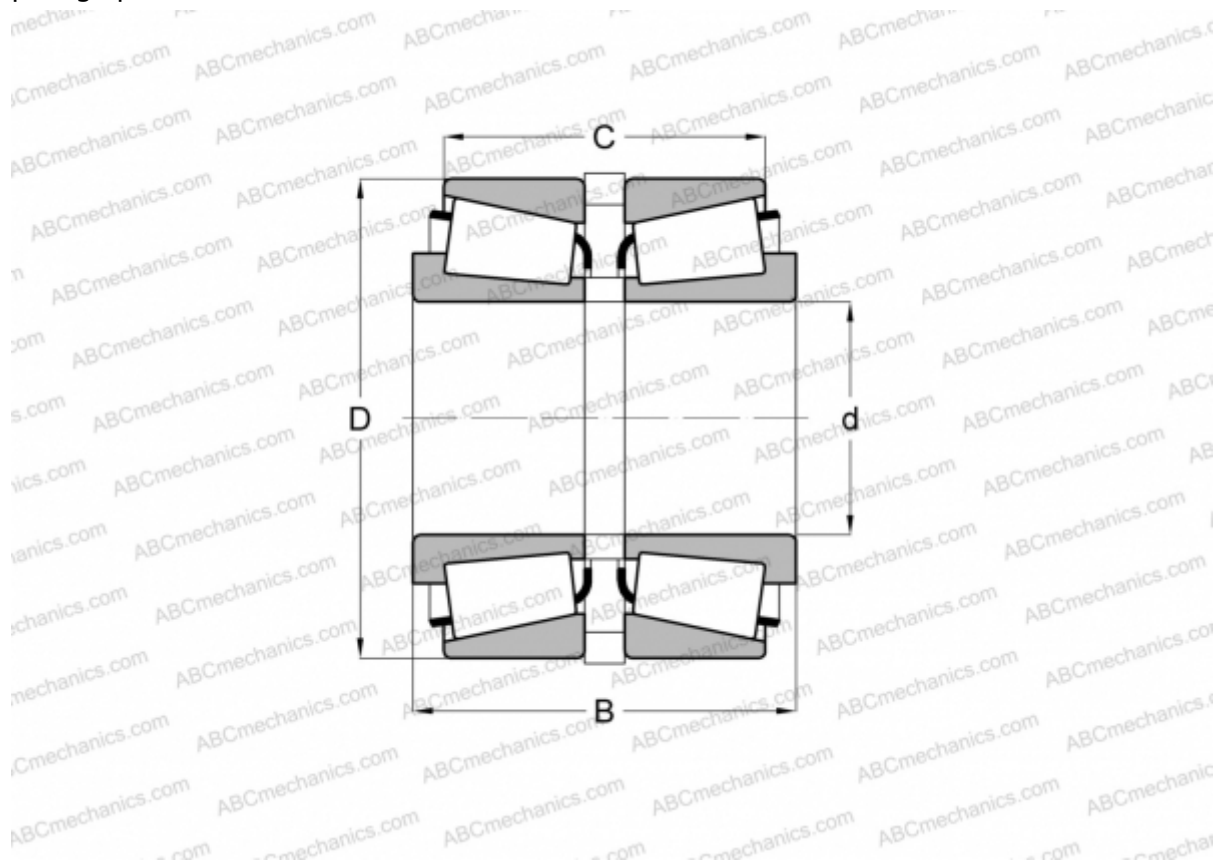


392/394A + K444667R/K444668R TIMKEN

Tapered roller bearings

TYPE: Roller bearings, Tapered, Tapered roller bearing assembly, Type 2S, two single-row assemblies with snap ring spacer



Technical specification

DIMENSIONS, MM

d	61,912
D	110,000
B	49,535
C	43,185

WEIGHT, KG 1,840

MANUFACTURER [TIMKEN](#)