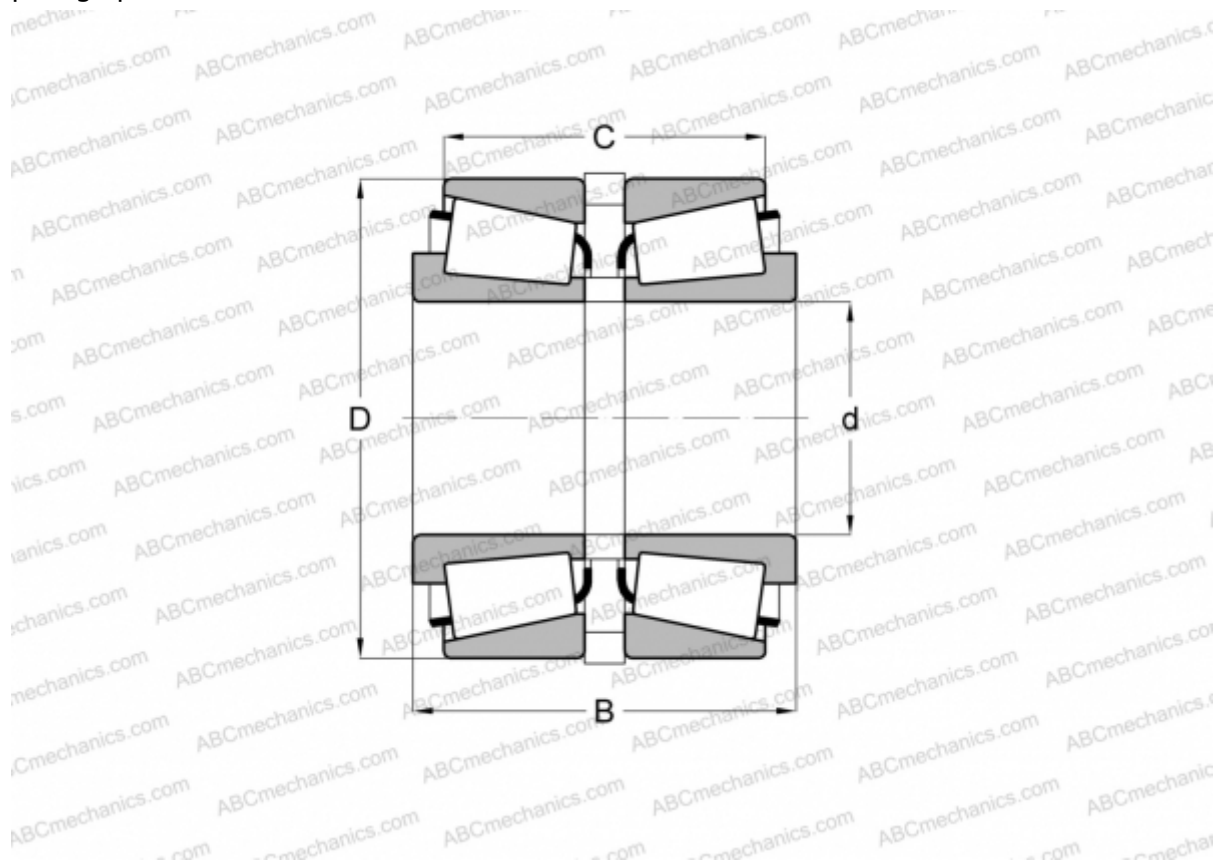


399A/394A + X5S-399A/XC914-SD TIMKEN

Tapered roller bearings

TYPE: Roller bearings, Tapered, Tapered roller bearing assembly, Type 2S, two single-row assemblies with snap ring spacer



Technical specification

DIMENSIONS, MM

d	68,262
D	110,000
B	49,433
C	43,083

WEIGHT, KG 1,670

MANUFACTURER [TIMKEN](#)