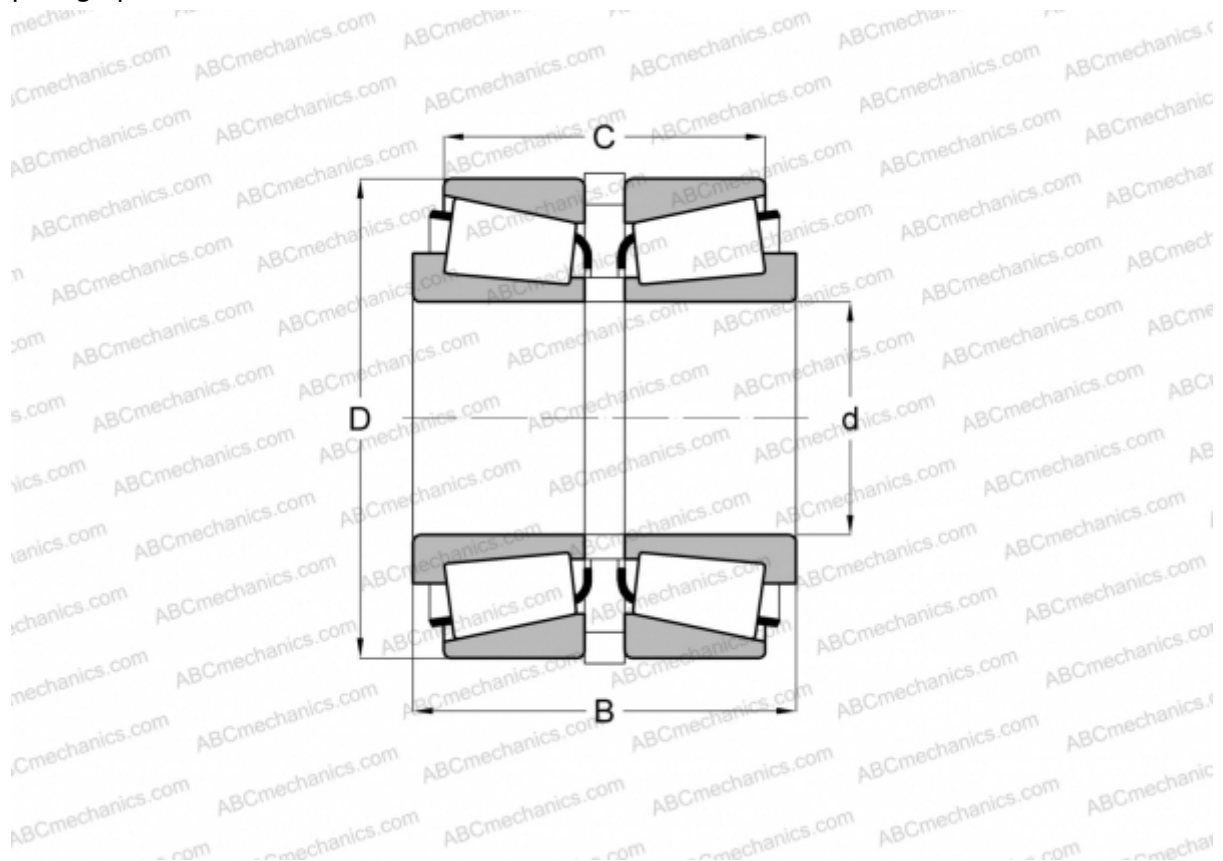


399A/394A + K143291/K143293R TIMKEN

Tapered roller bearings

TYPE: Roller bearings, Tapered, Tapered roller bearing assembly, Type 2S, two single-row assemblies with snap ring spacer



Technical specification

DIMENSIONS, MM

d	68,262
D	110,000
B	49,611
C	43,261

WEIGHT, KG 1,650

MANUFACTURER [TIMKEN](#)