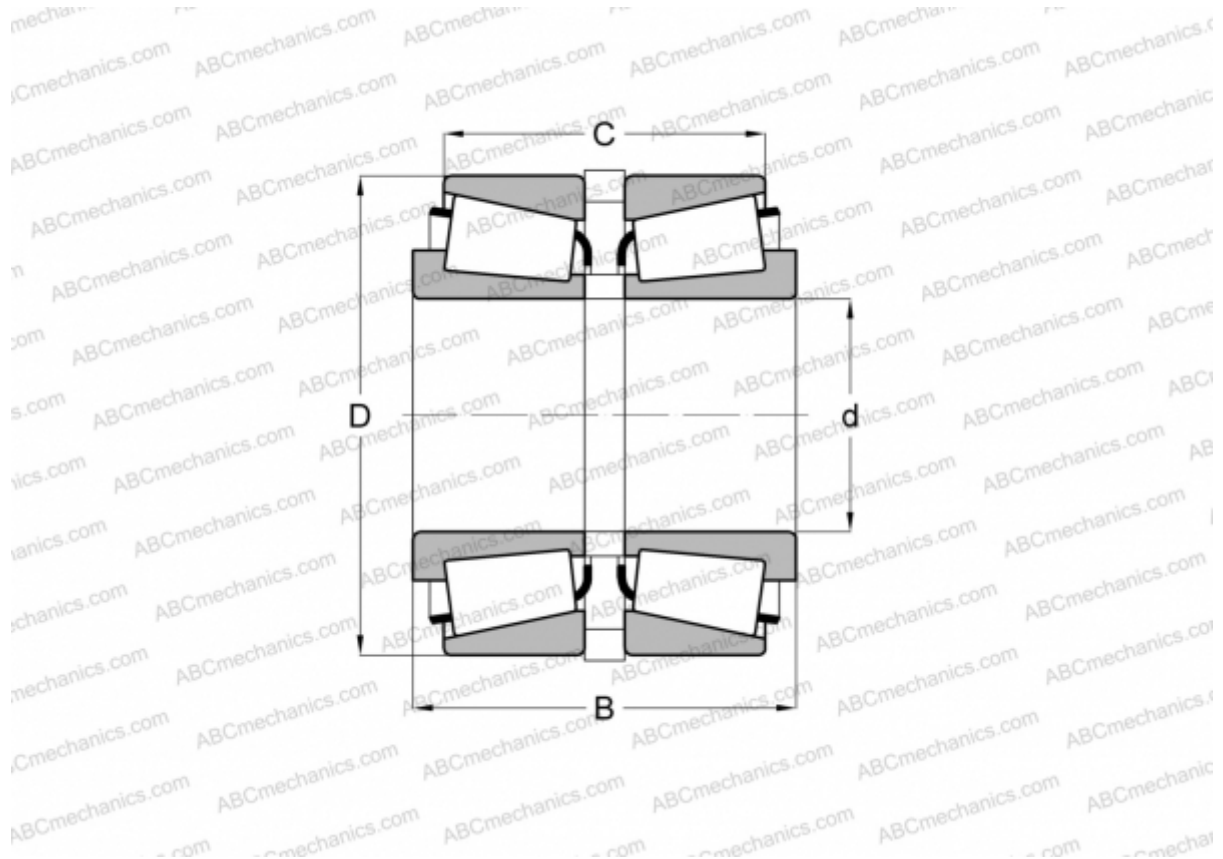


## LL217849/LL217810 + LL217849XB/K143253R TIMKEN

Tapered roller bearings

TYPE: Roller bearings, Tapered, Tapered roller bearing assembly, Type 2S, two single-row assemblies with snap ring spacer



### Technical specification

#### DIMENSIONS, MM

d	88,900
D	121,442
B	35,702
C	27,762

**WEIGHT, KG** 1,110

**MANUFACTURER** [TIMKEN](#)