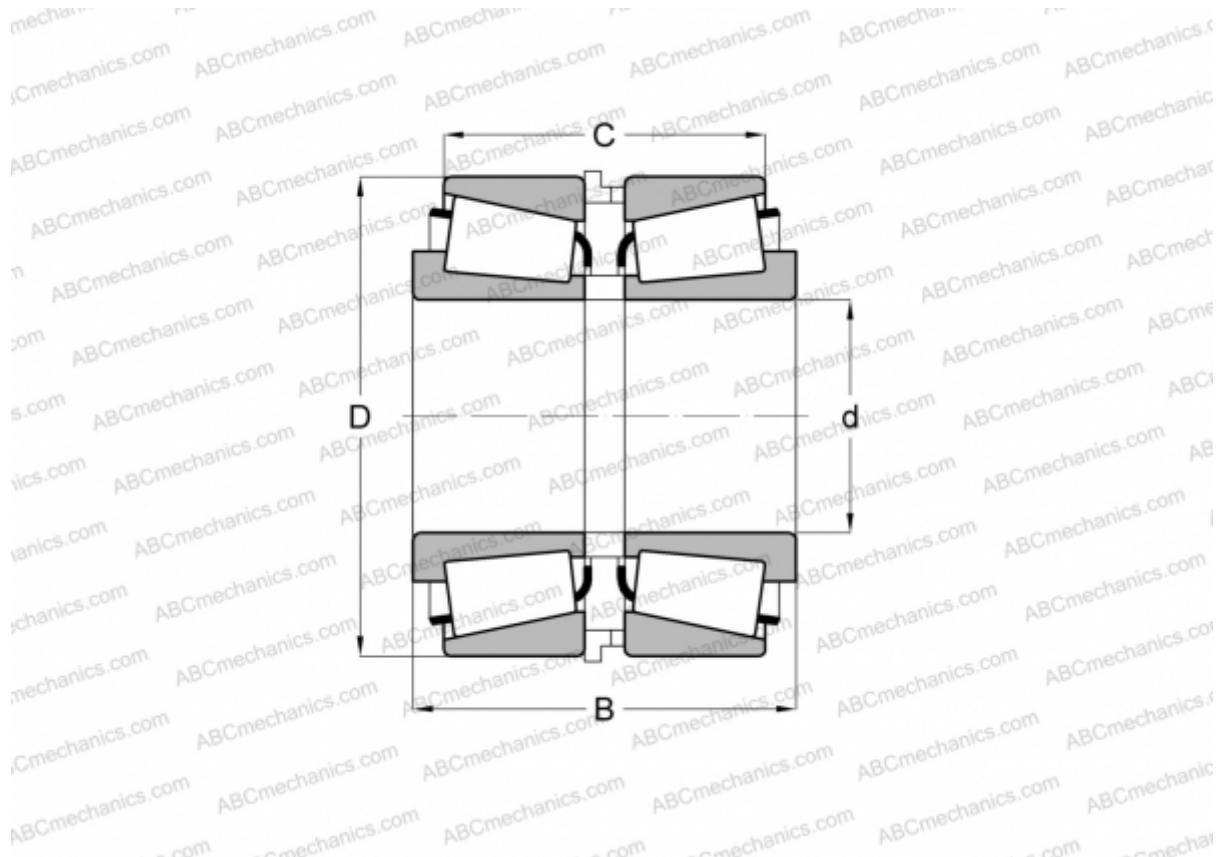


JHM807045/JHM807012 + K518781R/HM807045XS/HM807012ES TIMKEN

Tapered roller bearings

TYPE: Roller bearings, Tapered, Tapered roller bearing assembly, Type SR, SET-RIGHT TIMKEN, double-row, distance ring, standard clearance



Technical specification

DIMENSIONS, MM

| | |
|---|---------|
| d | 50,000 |
| D | 105,000 |
| B | 80,000 |
| C | 63,540 |

WEIGHT, KG 3,130

MANUFACTURER [TIMKEN](#)