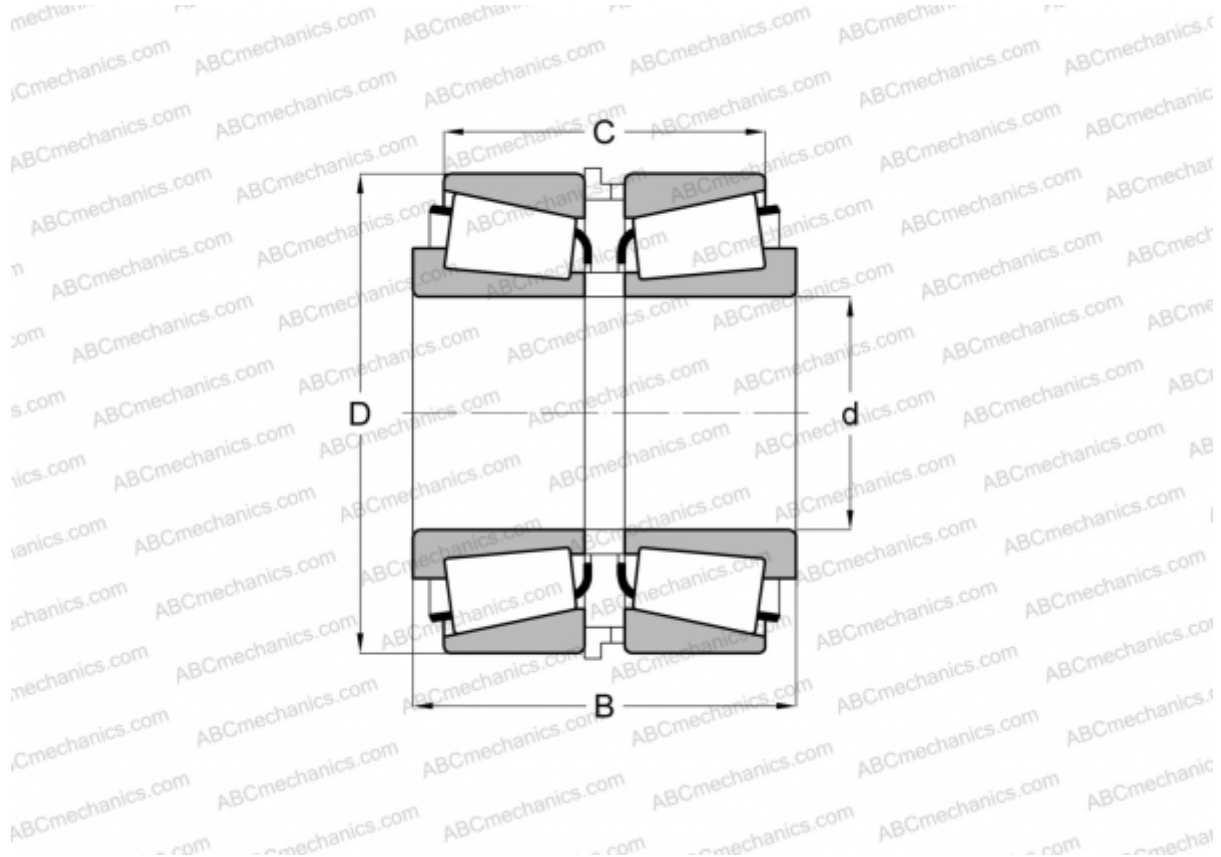


X32011X/Y32011X + K527327R/JXH5506A/JYH9006TSR TIMKEN

Tapered roller bearings

TYPE: Roller bearings, Tapered, Tapered roller bearing assembly, Type SR, SET-RIGHT TIMKEN, double-row, distance ring, standard clearance



Technical specification

DIMENSIONS, MM

d	55,000
D	90,000
B	52,000
C	40,475

WEIGHT, KG 1,200

MANUFACTURER [TIMKEN](#)