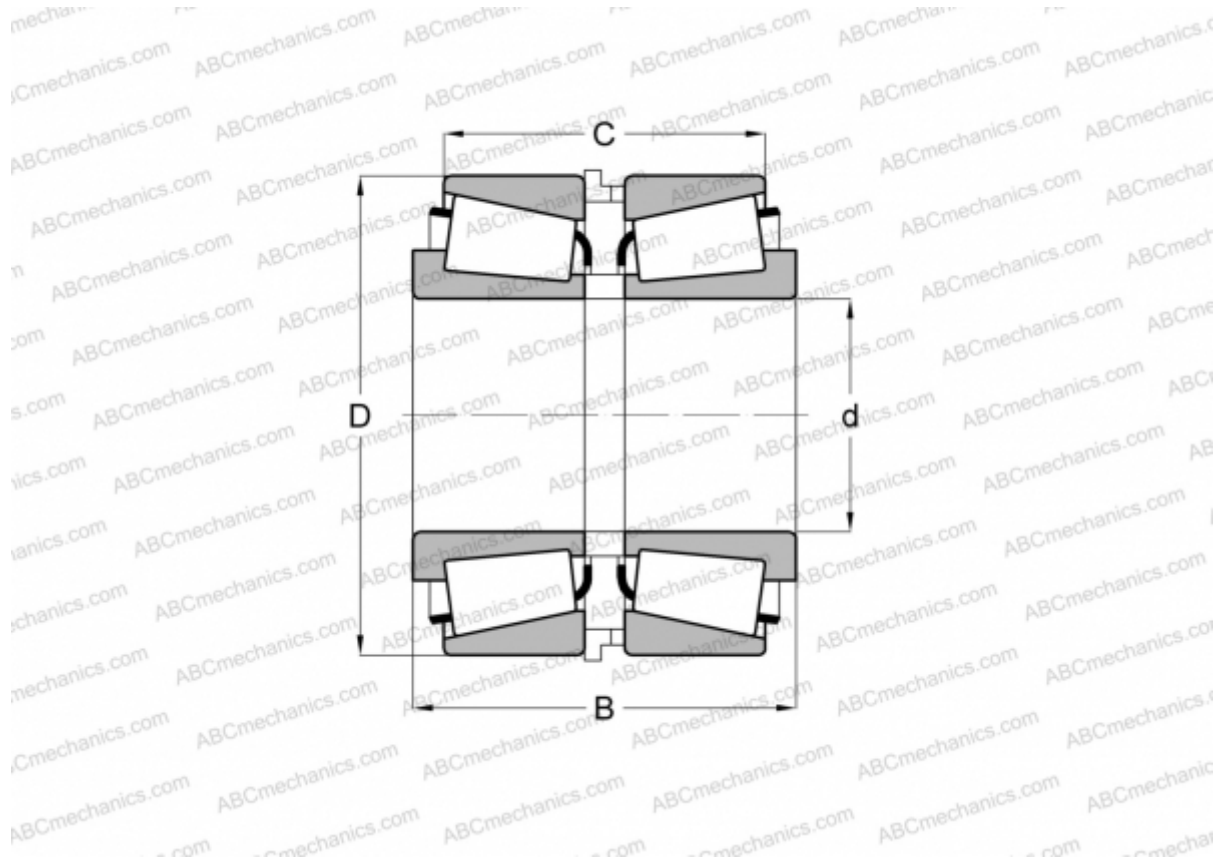


JH307749/JH307710 +

K518419R/H307749XR/H307710ER TIMKEN

Tapered roller bearings

TYPE: Roller bearings, Tapered, Tapered roller bearing assembly, Type SR, SET-RIGHT TIMKEN, double-row, distance ring, standard clearance



Technical specification

DIMENSIONS, MM

d	55,000
D	110,000
B	95,400
C	80,815

WEIGHT, KG 3,830

MANUFACTURER [TIMKEN](#)