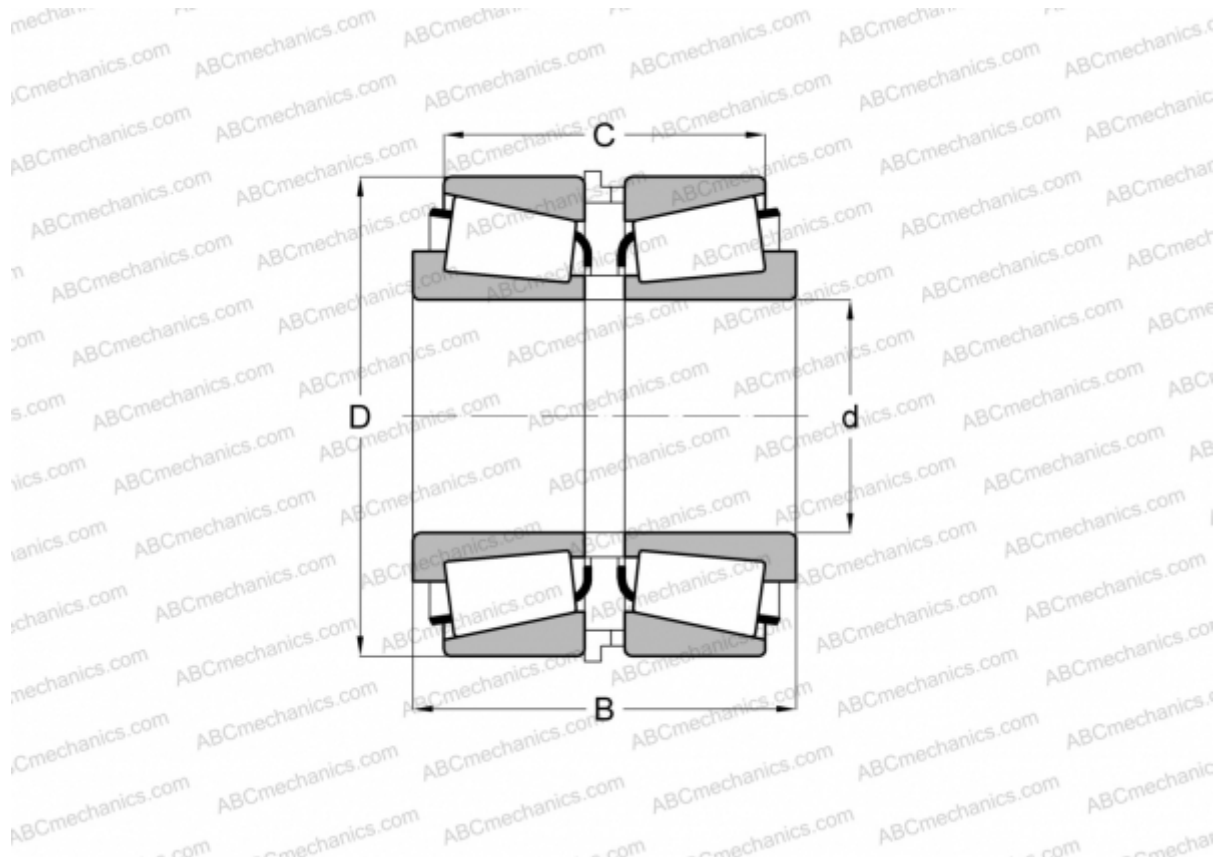


## JLM508748/JLM508710 + K518779R/LM508748XS/LM508710ES TIMKEN

Tapered roller bearings

TYPE: Roller bearings, Tapered, Tapered roller bearing assembly, Type SR, SET-RIGHT TIMKEN, double-row, distance ring, standard clearance



### Technical specification

#### DIMENSIONS, MM

d	60,000
D	95,000
B	54,000
C	43,491

**WEIGHT, KG** 1,260

**MANUFACTURER** [TIMKEN](#)