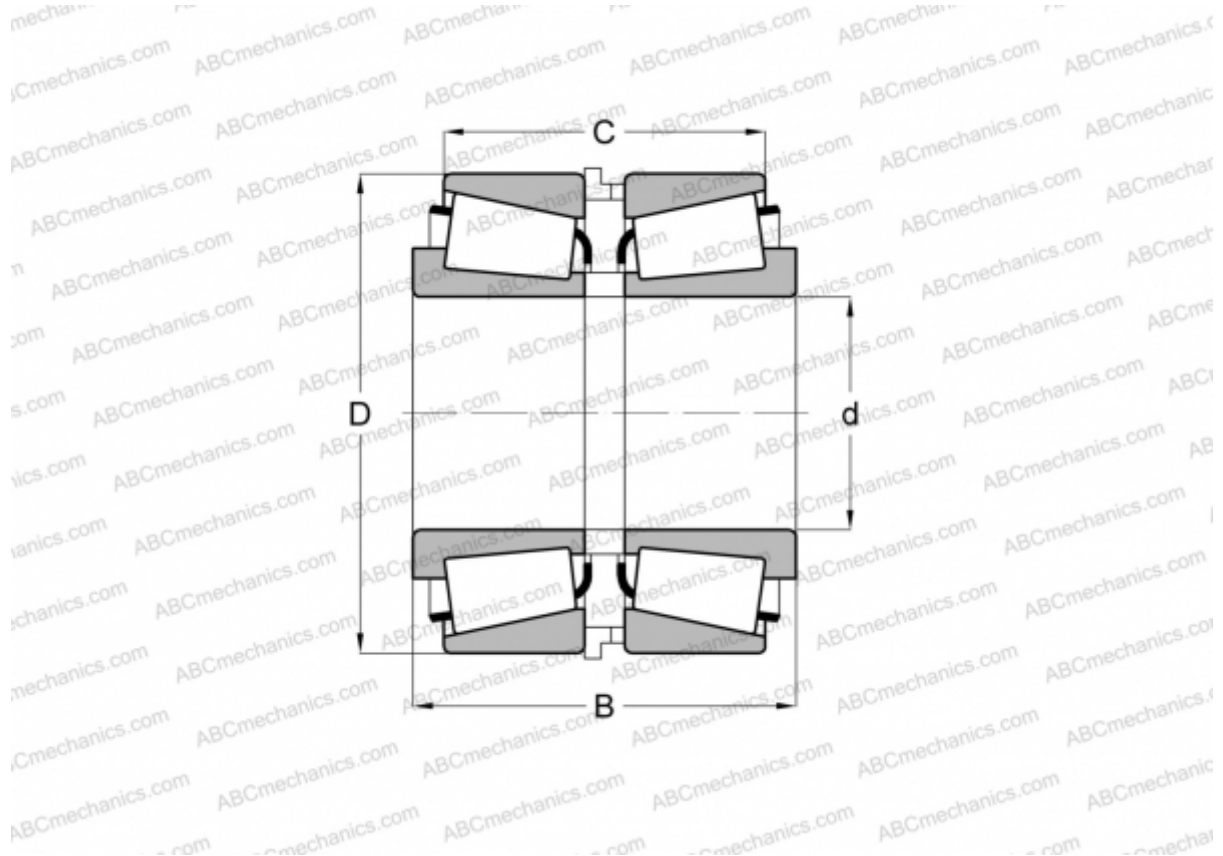


JLM710949C/JLM710910 + K518781R/LM710949XS/LM710910ES TIMKEN

Tapered roller bearings

TYPE: Roller bearings, Tapered, Tapered roller bearing assembly, Type SR, SET-RIGHT TIMKEN, double-row, distance ring, standard clearance



Technical specification

DIMENSIONS, MM

d	65,000
D	105,000
B	54,000
C	42,515

WEIGHT, KG 1,610

MANUFACTURER [TIMKEN](#)