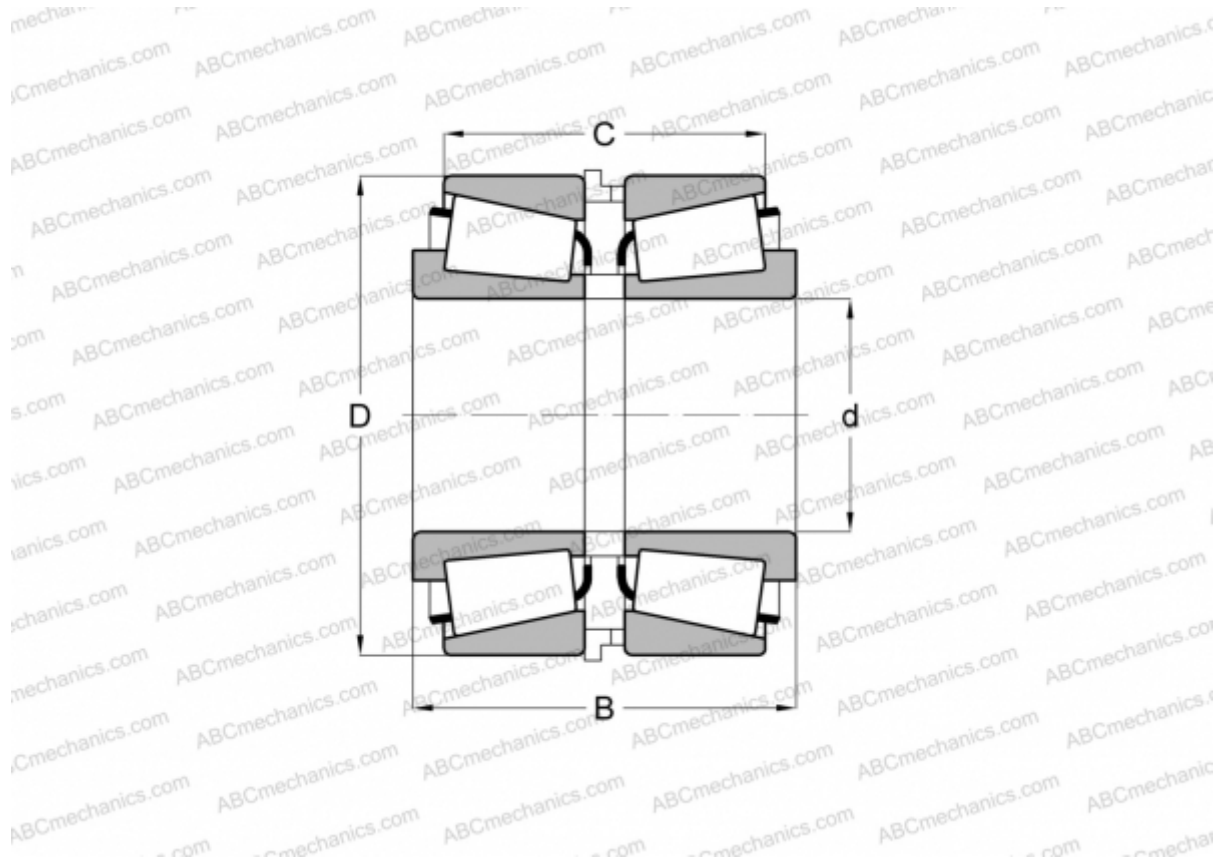


## JM511946/JM511910 + K518419R/JXH6558A/JYH11058RSR TIMKEN

Tapered roller bearings

TYPE: Roller bearings, Tapered, Tapered roller bearing assembly, Type SR, SET-RIGHT TIMKEN, double-row, distance ring, standard clearance



### Technical specification

#### DIMENSIONS, MM

d	65,000
D	110,000
B	114,300
C	102,718

**WEIGHT, KG** 3,690

**MANUFACTURER** [TIMKEN](#)