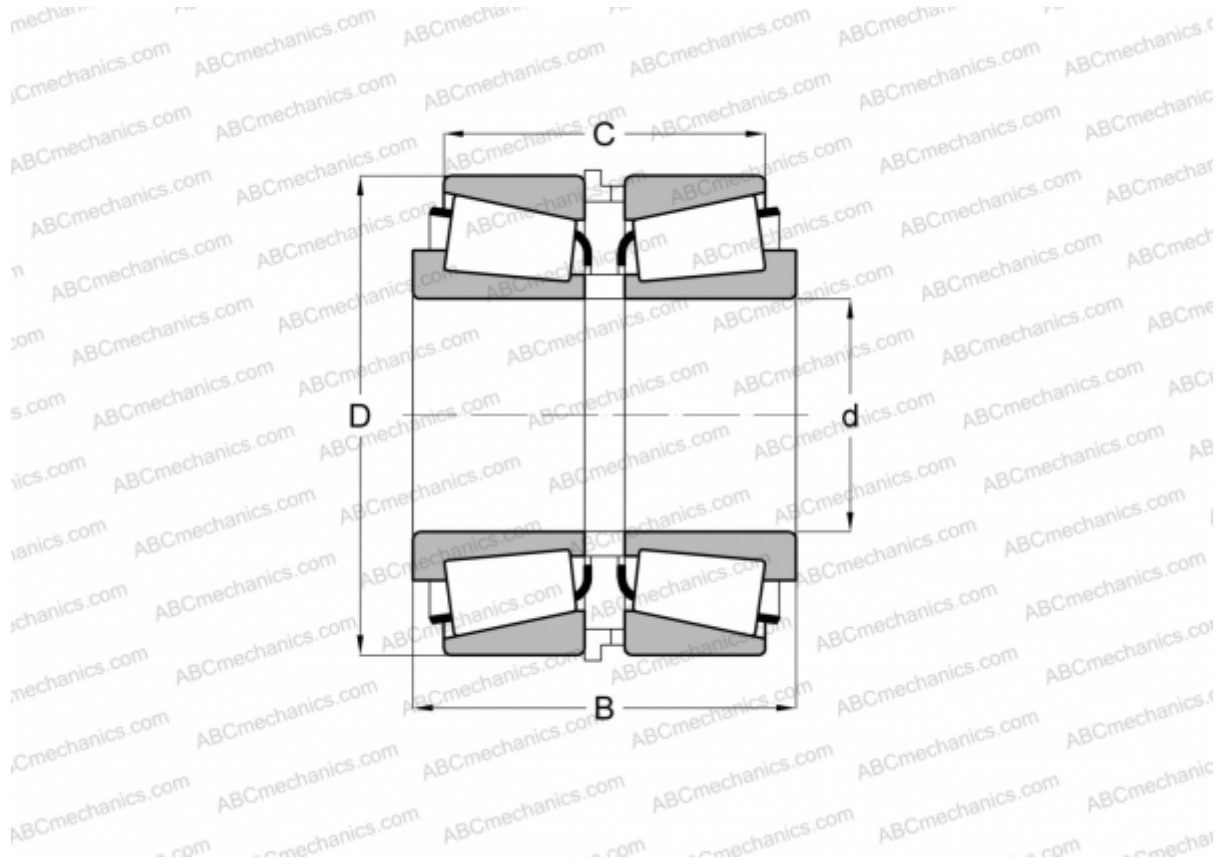


JH211749/JH211710 + K518771R/H211749XS/H211710ES TIMKEN

Tapered roller bearings

TYPE: Roller bearings, Tapered, Tapered roller bearing assembly, Type SR, SET-RIGHT TIMKEN, double-row, distance ring, standard clearance



Technical specification

DIMENSIONS, MM

d	65,000
D	120,000
B	86,000
C	71,402

WEIGHT, KG 3,920

MANUFACTURER [TIMKEN](#)