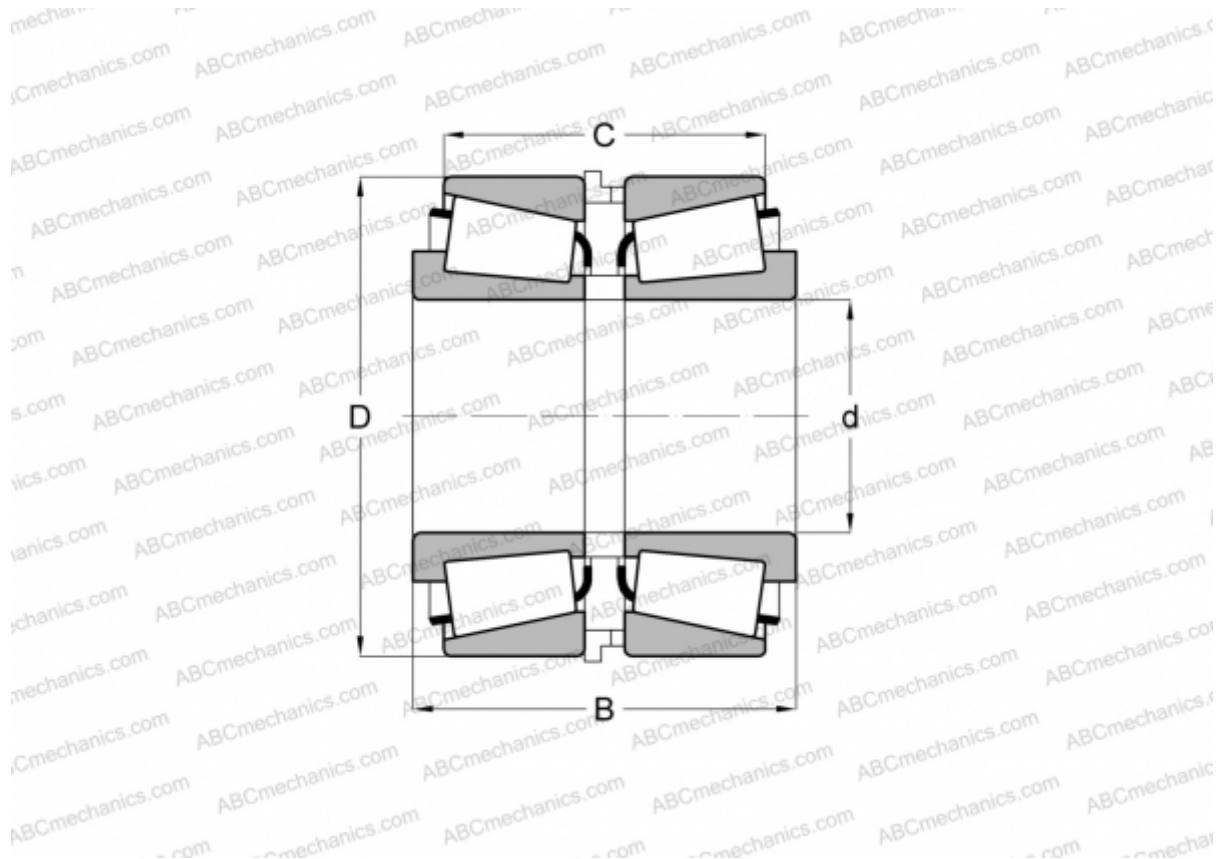


JLM813049/JLM813010 + K518419R/LM813049XS/LM813010ES TIMKEN

Tapered roller bearings

TYPE: Roller bearings, Tapered, Tapered roller bearing assembly, Type SR, SET-RIGHT TIMKEN, double-row, distance ring, standard clearance



Technical specification

DIMENSIONS, MM

d	70,000
D	110,000
B	58,000
C	46,519

WEIGHT, KG 1,880

MANUFACTURER [TIMKEN](#)