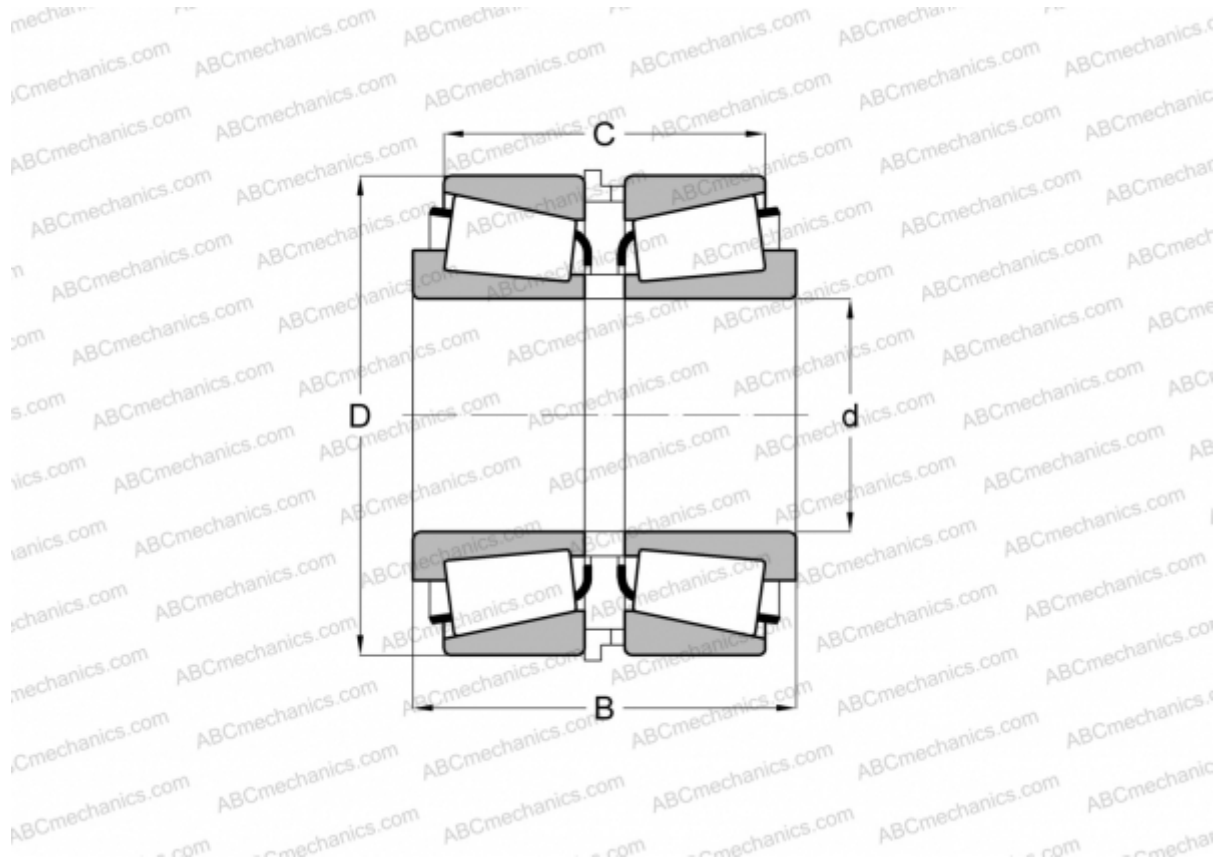


X32016X/Y32016X + K527332R/JXH8008AI/JYH12508TSR TIMKEN

Tapered roller bearings

TYPE: Roller bearings, Tapered, Tapered roller bearing assembly, Type SR, SET-RIGHT TIMKEN, double-row, distance ring, standard clearance



Technical specification

DIMENSIONS, MM

d	80,000
D	125,000
B	66,000
C	51,500

WEIGHT, KG 2,720

MANUFACTURER [TIMKEN](#)