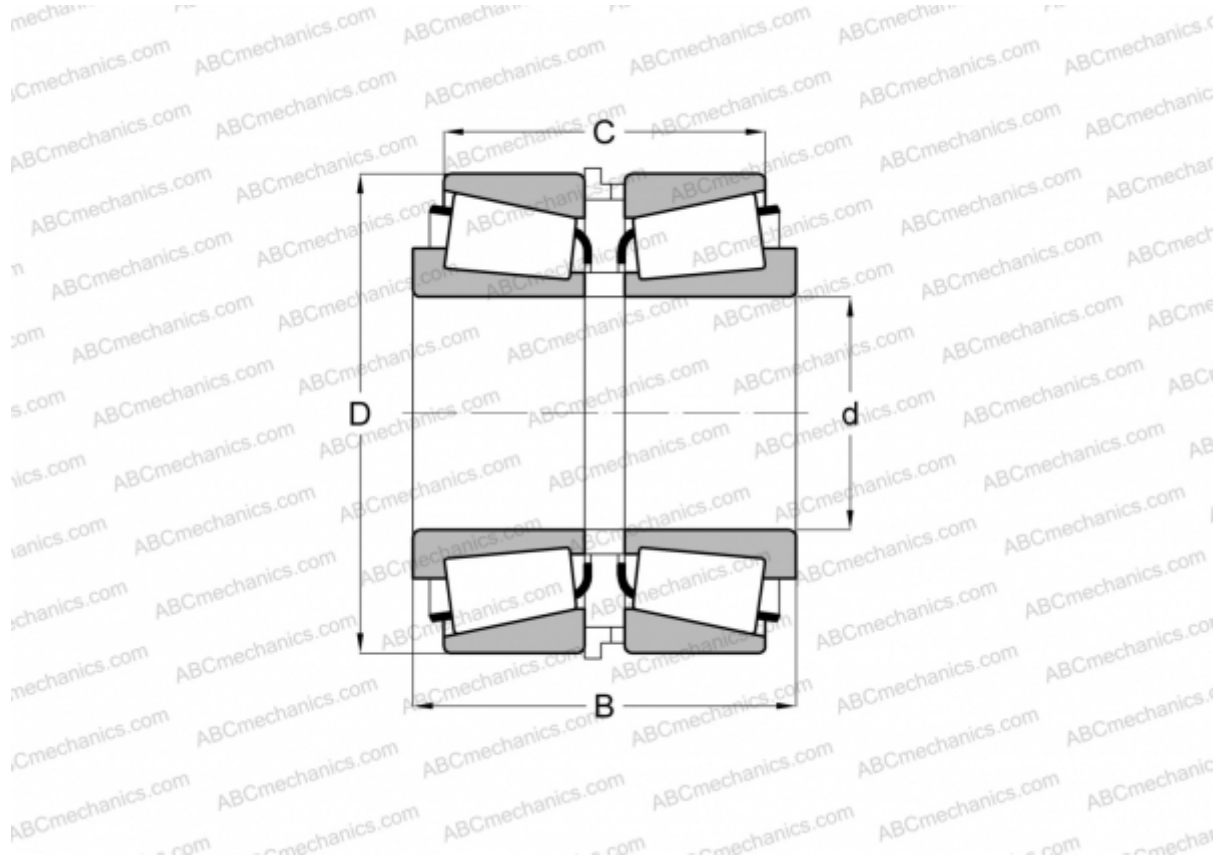


JHM516849/JHM516810 + K518333R/HM516849XS/HM516810ES TIMKEN

Tapered roller bearings

TYPE: Roller bearings, Tapered, Tapered roller bearing assembly, Type SR, SET-RIGHT TIMKEN, double-row, distance ring, standard clearance



Technical specification

DIMENSIONS, MM

d	85,000
D	140,000
B	86,000
C	70,470

WEIGHT, KG 4,760

MANUFACTURER [TIMKEN](#)