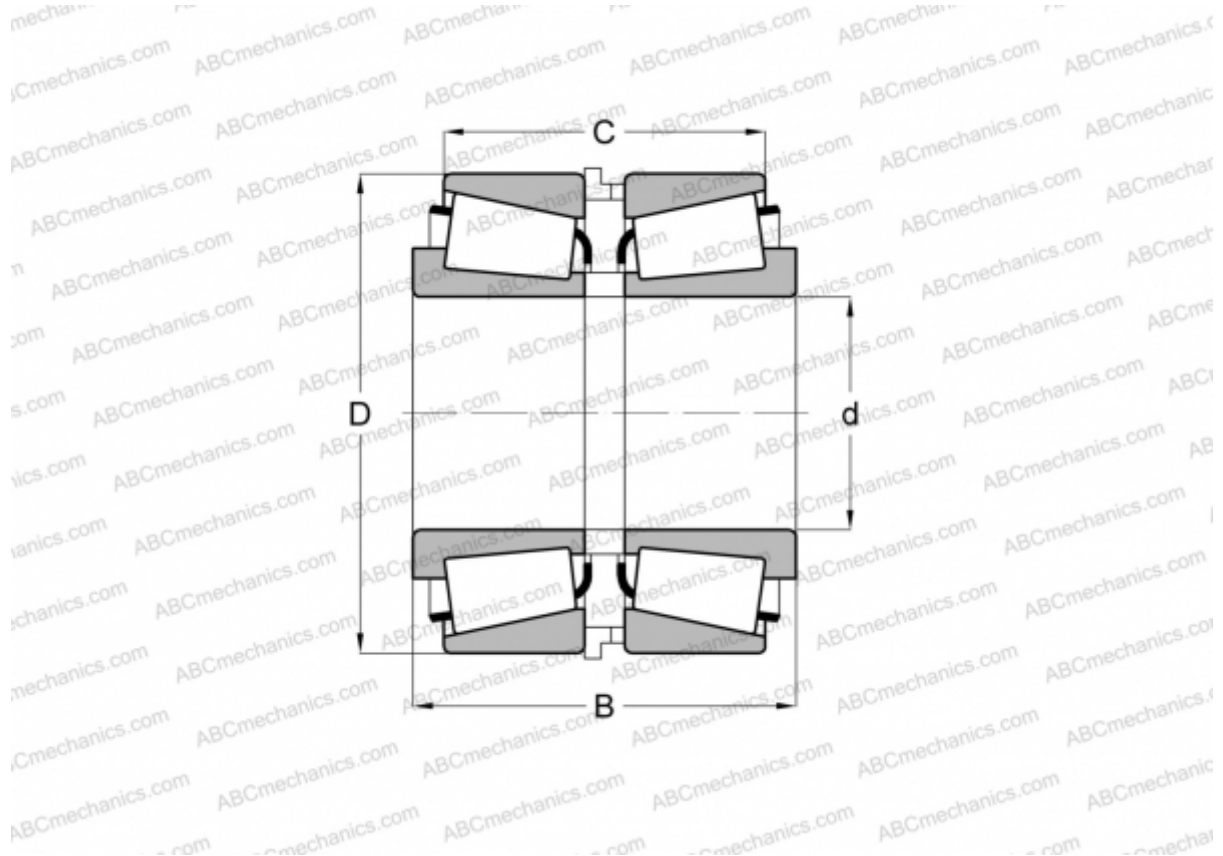


JHM516849/JHM516810 + K518333R/HM516849XB/HM516810EB TIMKEN

Tapered roller bearings

TYPE: Roller bearings, Tapered, Tapered roller bearing assembly, Type SR, SET-RIGHT TIMKEN, double-row, distance ring, standard clearance



Technical specification

DIMENSIONS, MM

d	85,000
D	140,000
B	128,867
C	113,337

WEIGHT, KG 6,510

MANUFACTURER [TIMKEN](#)