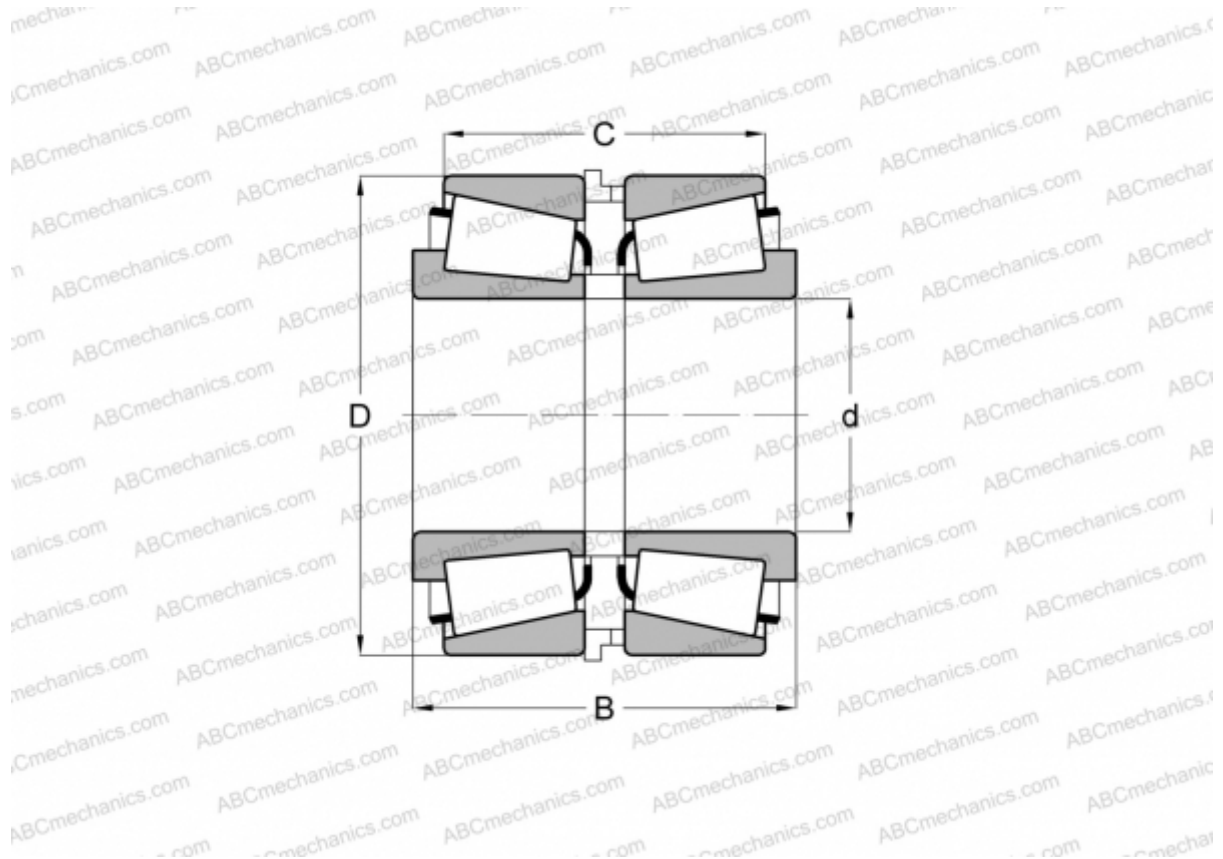


## JH217249/JH217210 + K518773R/H217249XS/H217210ES TIMKEN

Tapered roller bearings

TYPE: Roller bearings, Tapered, Tapered roller bearing assembly, Type SR, SET-RIGHT TIMKEN, double-row, distance ring, standard clearance



### Technical specification

#### DIMENSIONS, MM

d	85,000
D	150,000
B	102,000
C	85,390

**WEIGHT, KG** 7,050

**MANUFACTURER** [TIMKEN](#)