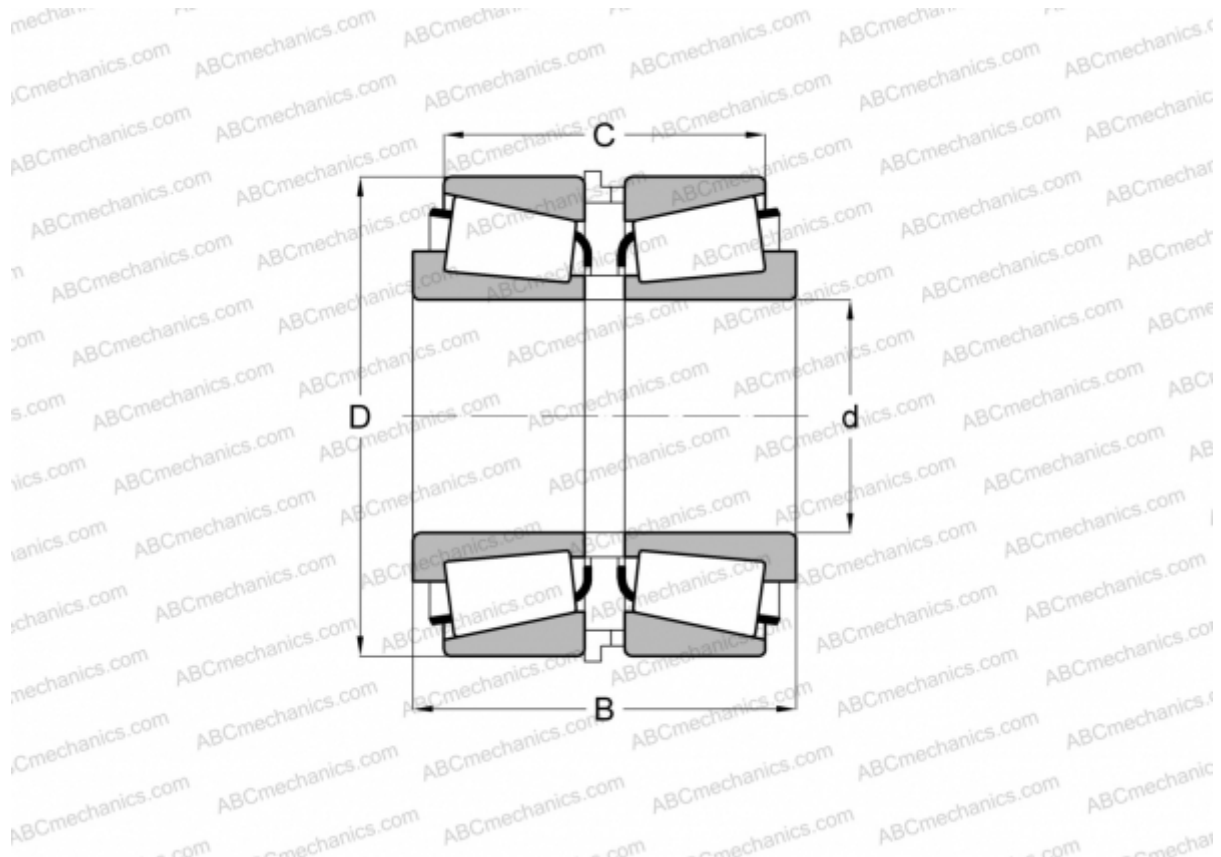


## JHM318448/JHM318410 + K516800R/HM318448XS/HM318410ES TIMKEN

Tapered roller bearings

TYPE: Roller bearings, Tapered, Tapered roller bearing assembly, Type SR, SET-RIGHT TIMKEN, double-row, distance ring, standard clearance



### Technical specification

#### DIMENSIONS, MM

d	90,000
D	155,000
B	98,000
C	80,314

**WEIGHT, KG** 6,970

**MANUFACTURER** [TIMKEN](#)