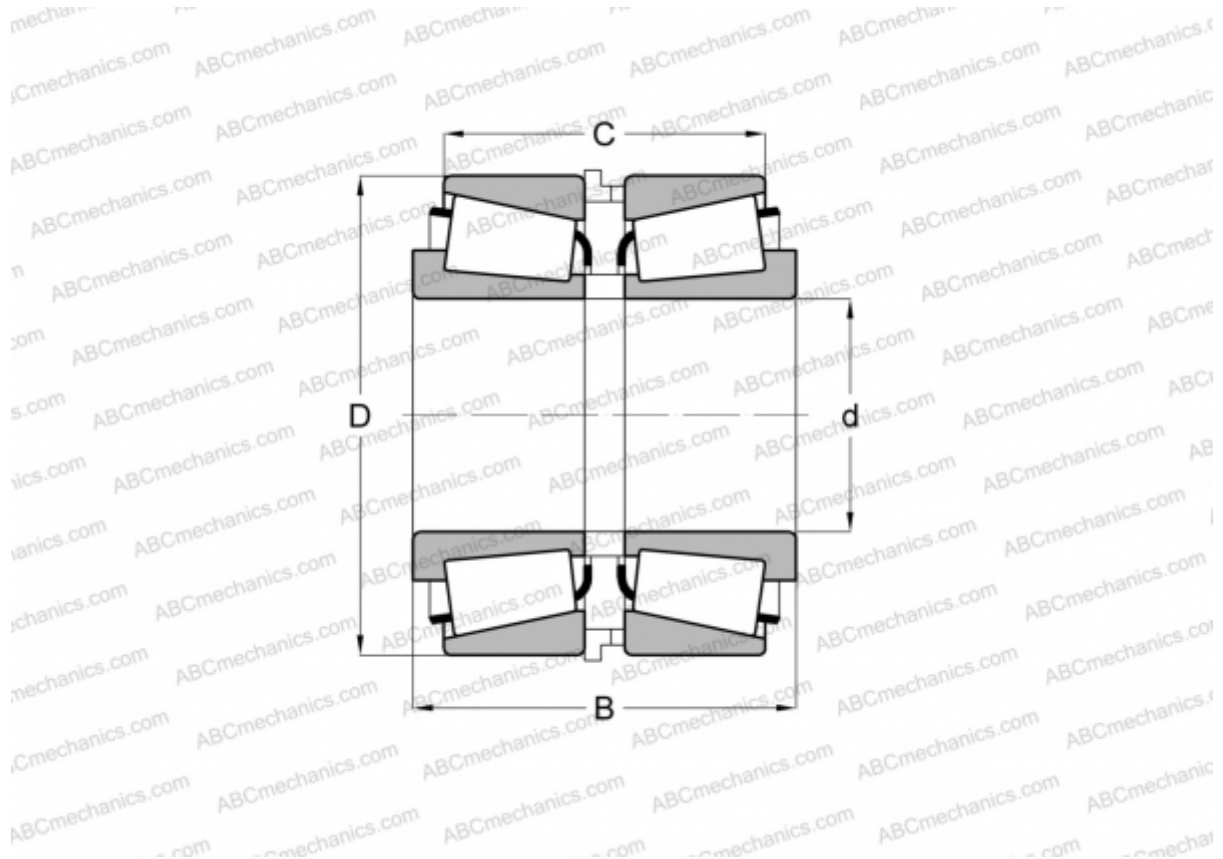


## JM720249/JM720210 + K516800R/JXH10010A/M720210ES TIMKEN

Tapered roller bearings

TYPE: Roller bearings, Tapered, Tapered roller bearing assembly, Type SR, SET-RIGHT TIMKEN, double-row, distance ring, standard clearance



### Technical specification

#### DIMENSIONS, MM

d	100,000
D	155,000
B	80,000
C	63,417

**WEIGHT, KG** 5,000

**MANUFACTURER** [TIMKEN](#)