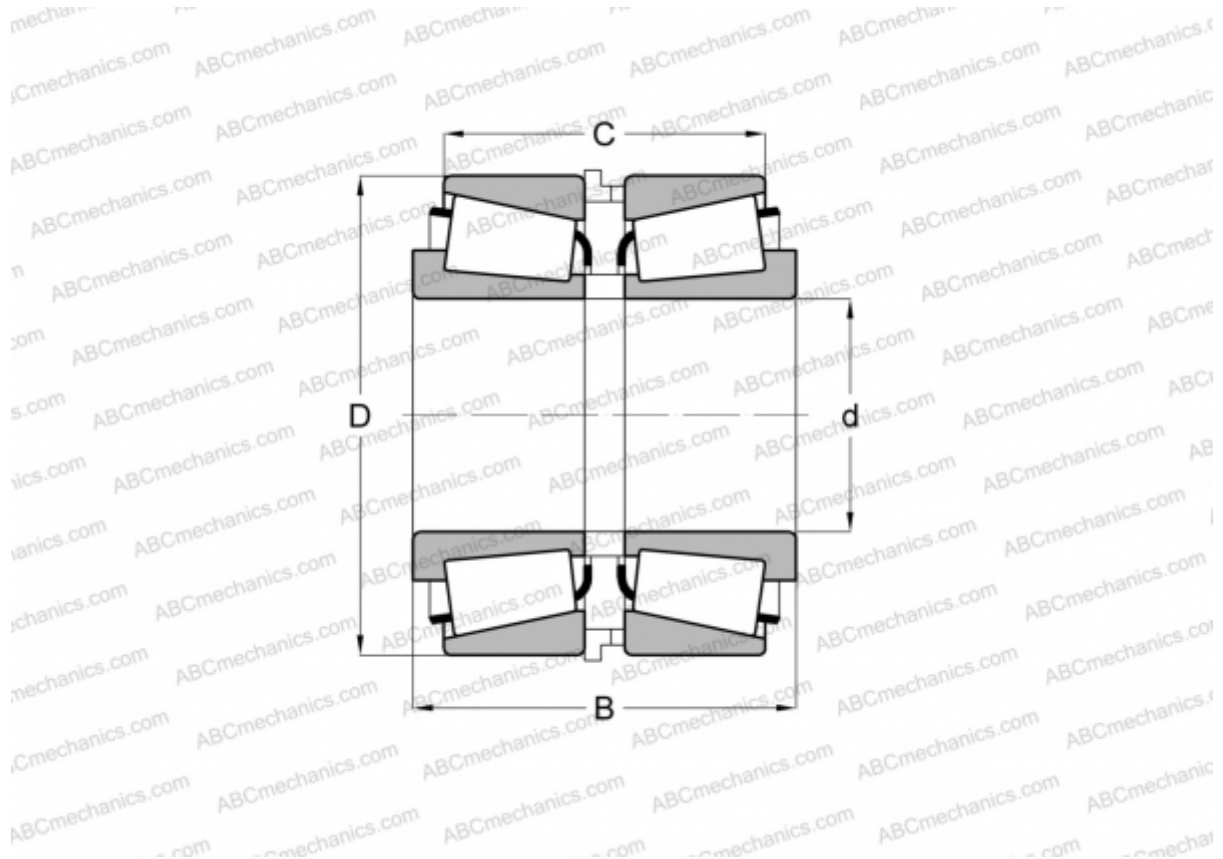


JHM720249/JHM720210 + K525362R/JXH10010A/HM720210ES TIMKEN

Tapered roller bearings

TYPE: Roller bearings, Tapered, Tapered roller bearing assembly, Type SR, SET-RIGHT TIMKEN, double-row, distance ring, standard clearance



Technical specification

DIMENSIONS, MM

d	100,000
D	160,000
B	90,000
C	71,412

WEIGHT, KG 6,310

MANUFACTURER [TIMKEN](#)