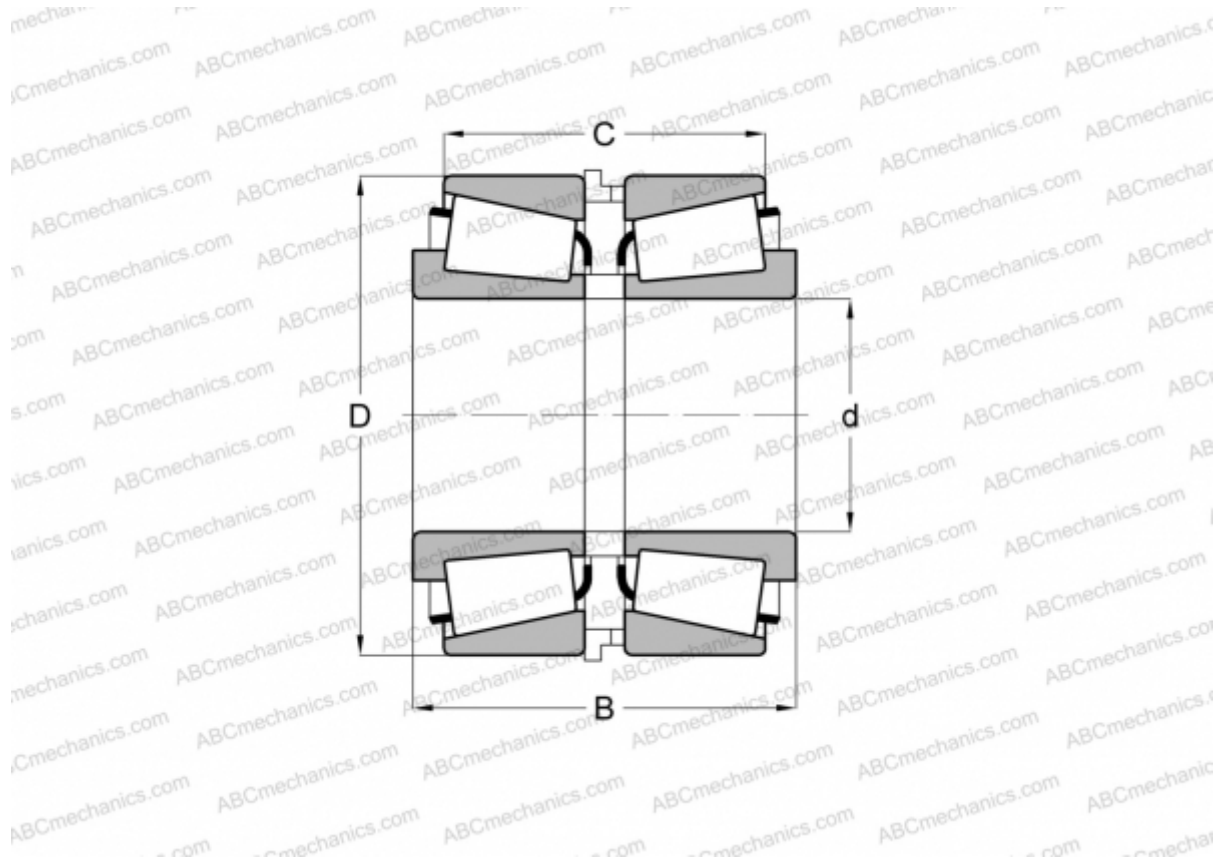


JM822049/JM822010 + K524660R/JXH11010A/M822010ES TIMKEN

Tapered roller bearings

TYPE: Roller bearings, Tapered, Tapered roller bearing assembly, Type SR, SET-RIGHT TIMKEN, double-row, distance ring, standard clearance



Technical specification

DIMENSIONS, MM

d	110,000
D	165,000
B	79,756
C	62,413

WEIGHT, KG 5,290

MANUFACTURER [TIMKEN](#)