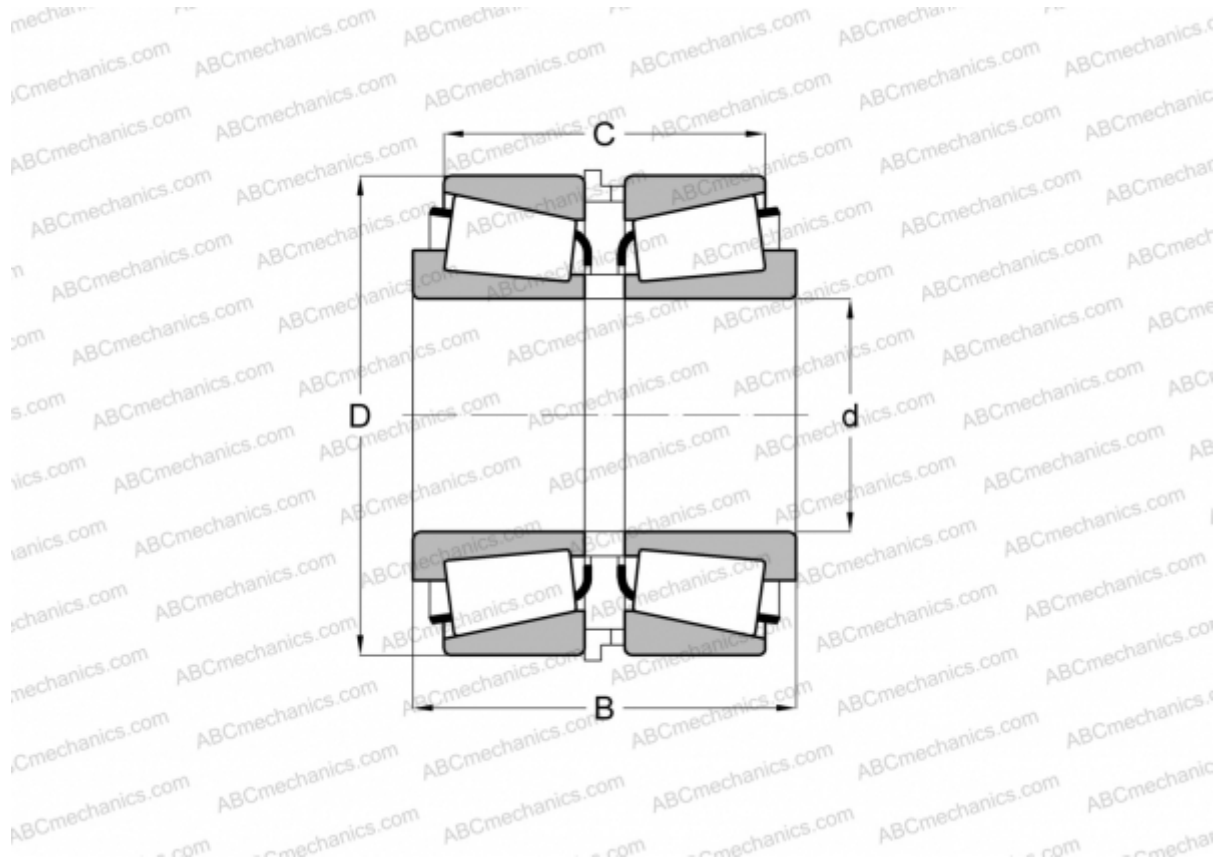


JM734449/JM734410 + K518335R/M734449XS/M734410ES TIMKEN

Tapered roller bearings

TYPE: Roller bearings, Tapered, Tapered roller bearing assembly, Type SR, SET-RIGHT TIMKEN, double-row, distance ring, standard clearance



Technical specification

DIMENSIONS, MM

d	170,000
D	240,000
B	101,000
C	82,278

WEIGHT, KG 13,160

MANUFACTURER [TIMKEN](#)