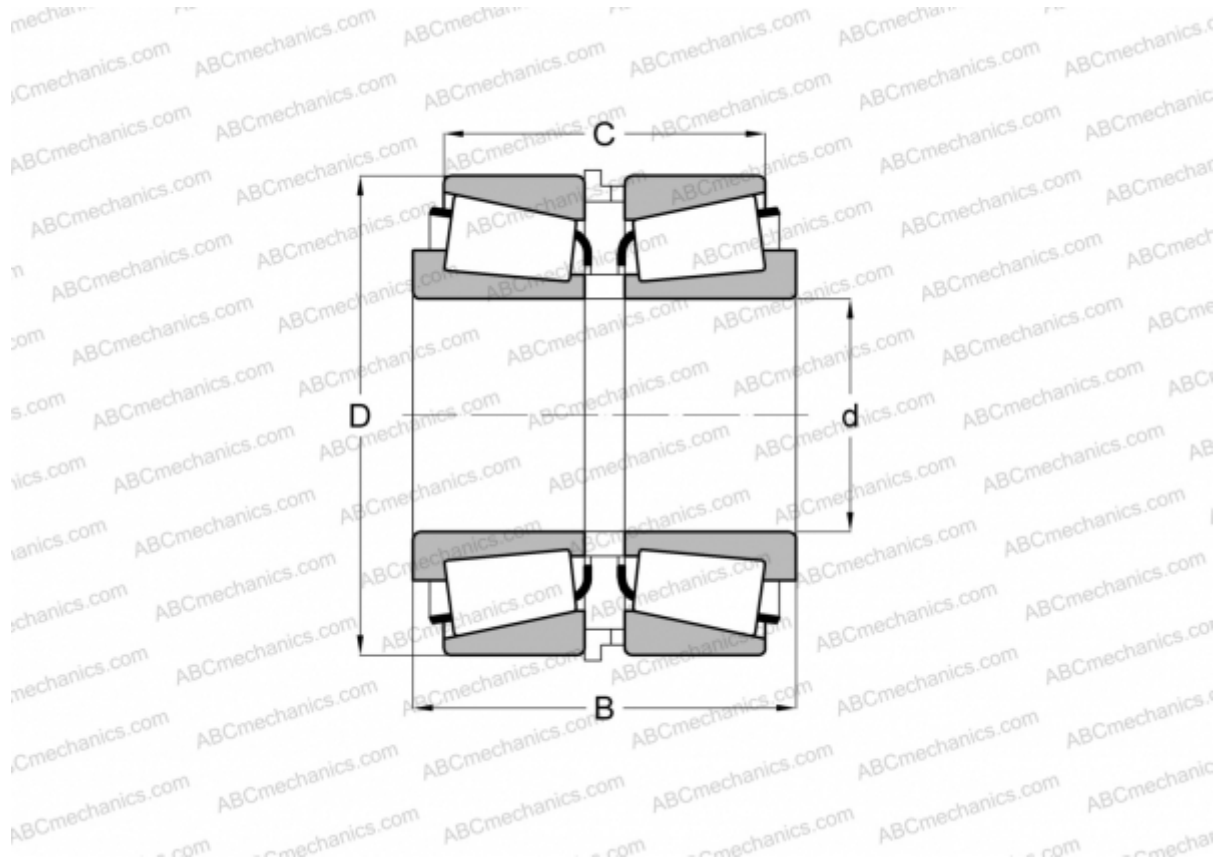


## JM736149/JM736110 + K525377R/M736149XS/M736110ES TIMKEN

Tapered roller bearings

TYPE: Roller bearings, Tapered, Tapered roller bearing assembly, Type SR, SET-RIGHT TIMKEN, double-row, distance ring, standard clearance



### Technical specification

#### DIMENSIONS, MM

d	180,000
D	250,000
B	103,000
C	82,288

**WEIGHT, KG** 14,020

**MANUFACTURER** [TIMKEN](#)