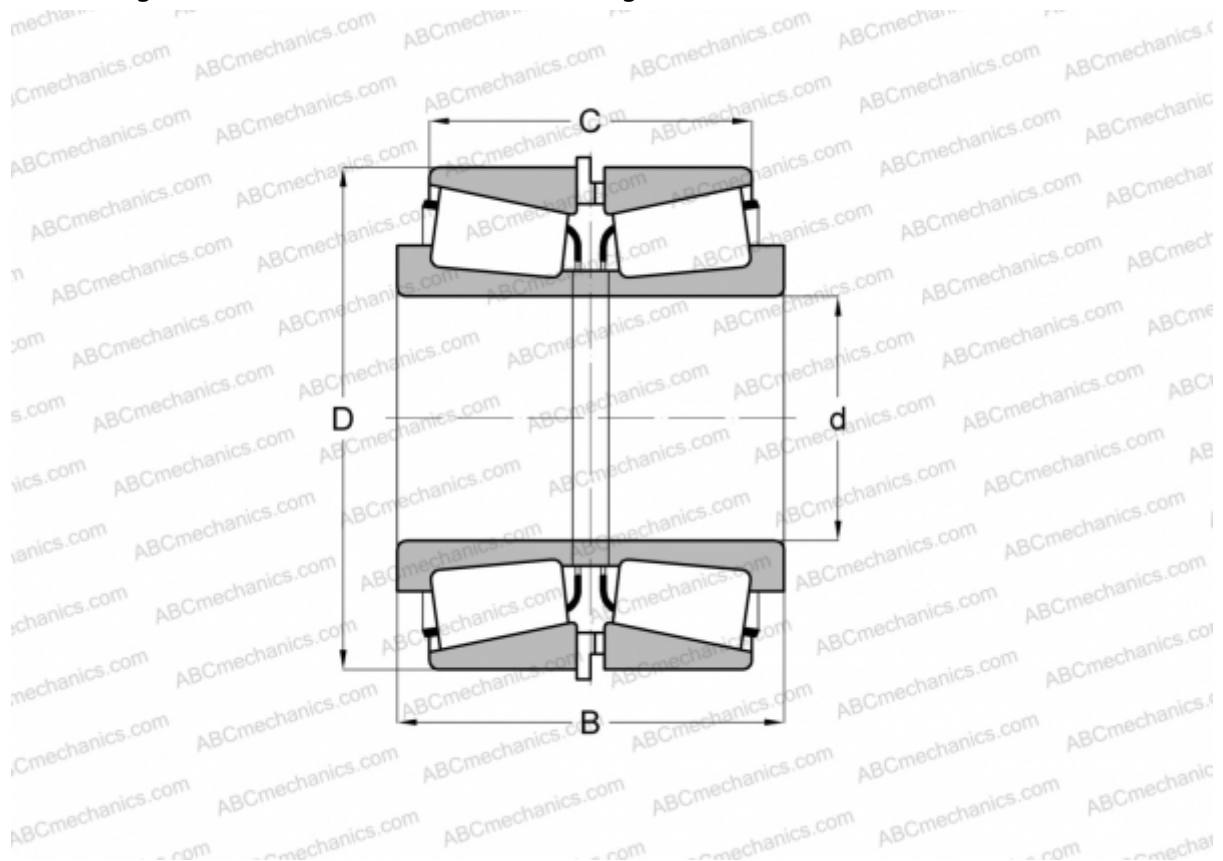


LM12749/LM12711 + K523966R TIMKEN

Tapered roller bearings

TYPE: Roller bearings, Tapered, Tapered roller bearing assembly, Type 2TS-IM (X-mounting), two single row bearing with inner and outer distance rings



Technical specification

DIMENSIONS, MM

d	21,987
D	45,975
B	34,950
C	28,092

WEIGHT, KG 0,250

MANUFACTURER [TIMKEN](#)