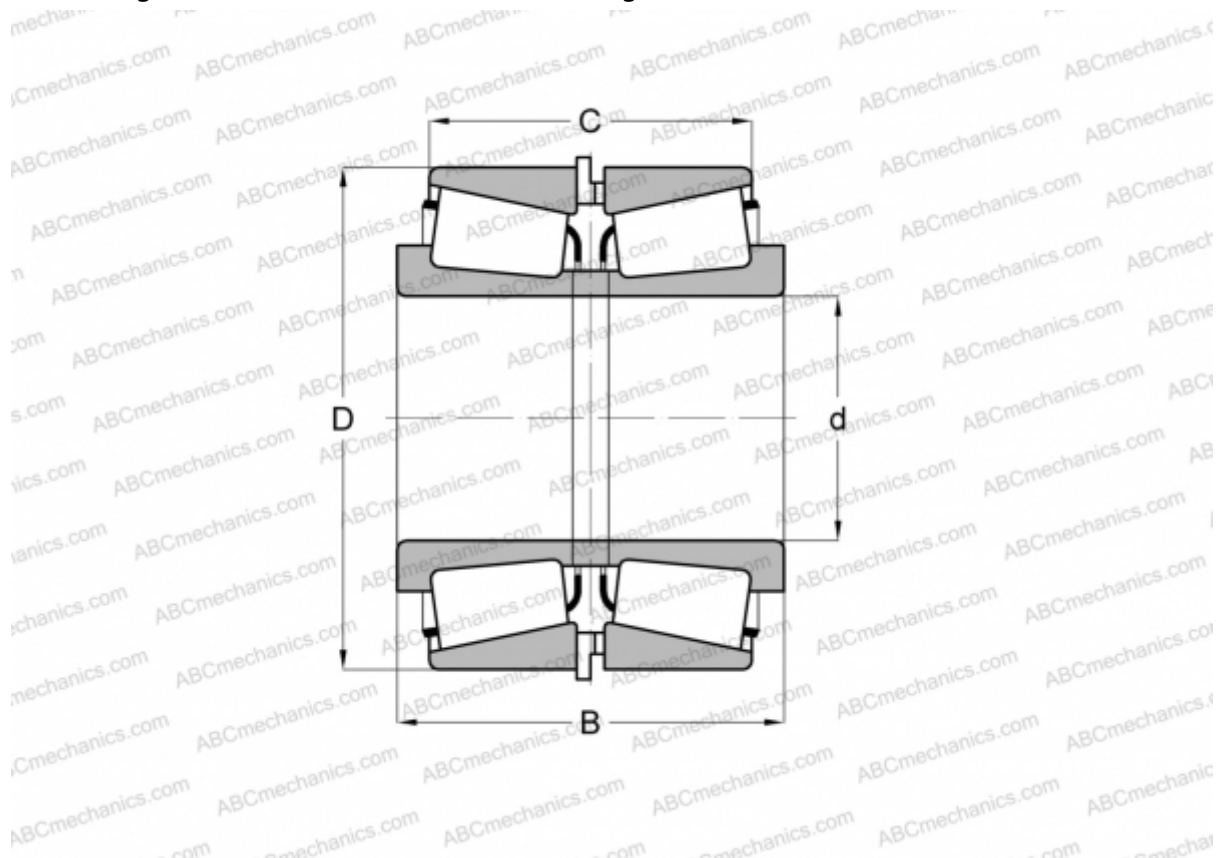


## M88040A/M88010 + M88040XA TIMKEN

Tapered roller bearings

TYPE: Roller bearings, Tapered, Tapered roller bearing assembly, Type 2TS-IM (X-mounting), two single row bearing with inner and outer distance rings



### Technical specification

#### DIMENSIONS, MM

d	28,575
D	68,262
B	49,425
C	39,901

**WEIGHT, KG** 0,840

**MANUFACTURER** [TIMKEN](#)