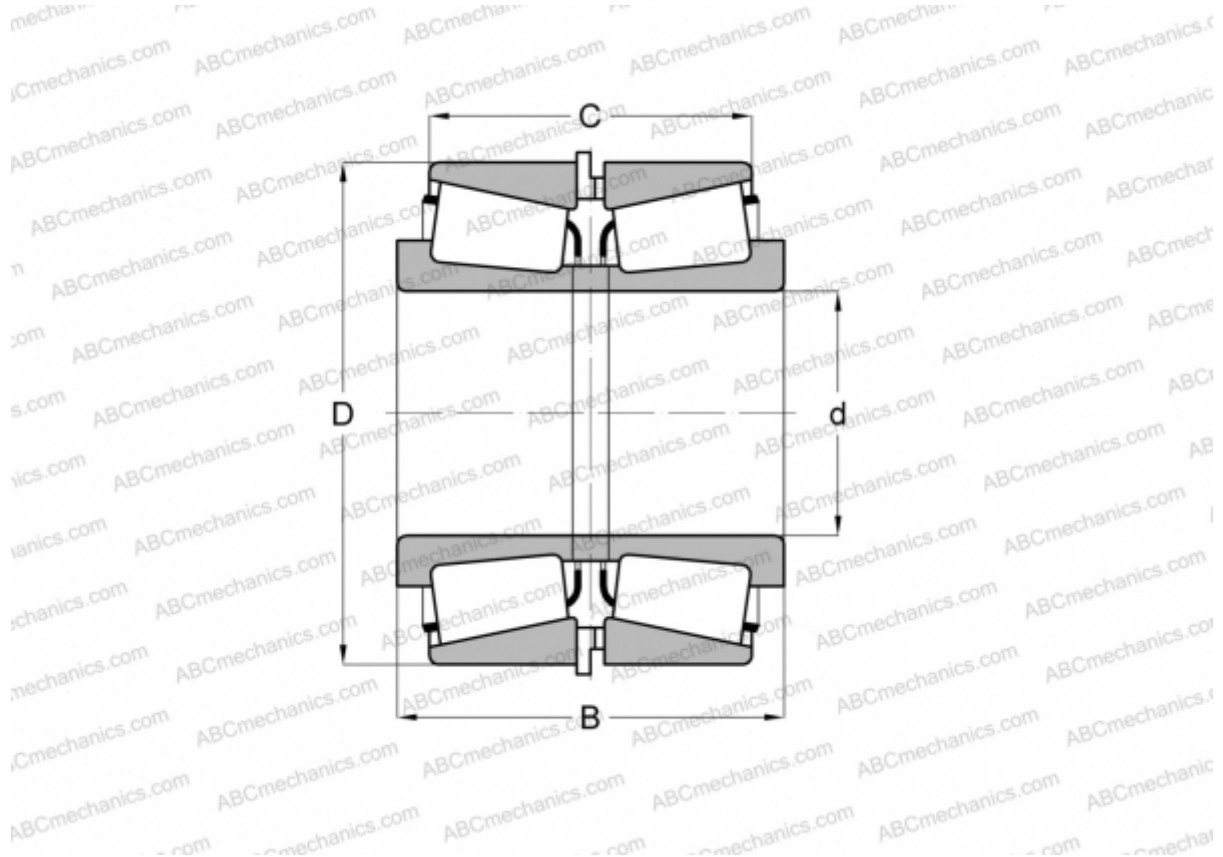


JL69349/JL69310 + K158596R/K158598R

TIMKEN

Tapered roller bearings

TYPE: Roller bearings, Tapered, Tapered roller bearing assembly, Type 2TS-IM (X-mounting), two single row bearing with inner and outer distance rings



Technical specification

DIMENSIONS, MM

d	38,000
D	63,000
B	37,810
C	30,810

WEIGHT, KG 0,440

MANUFACTURER [TIMKEN](#)