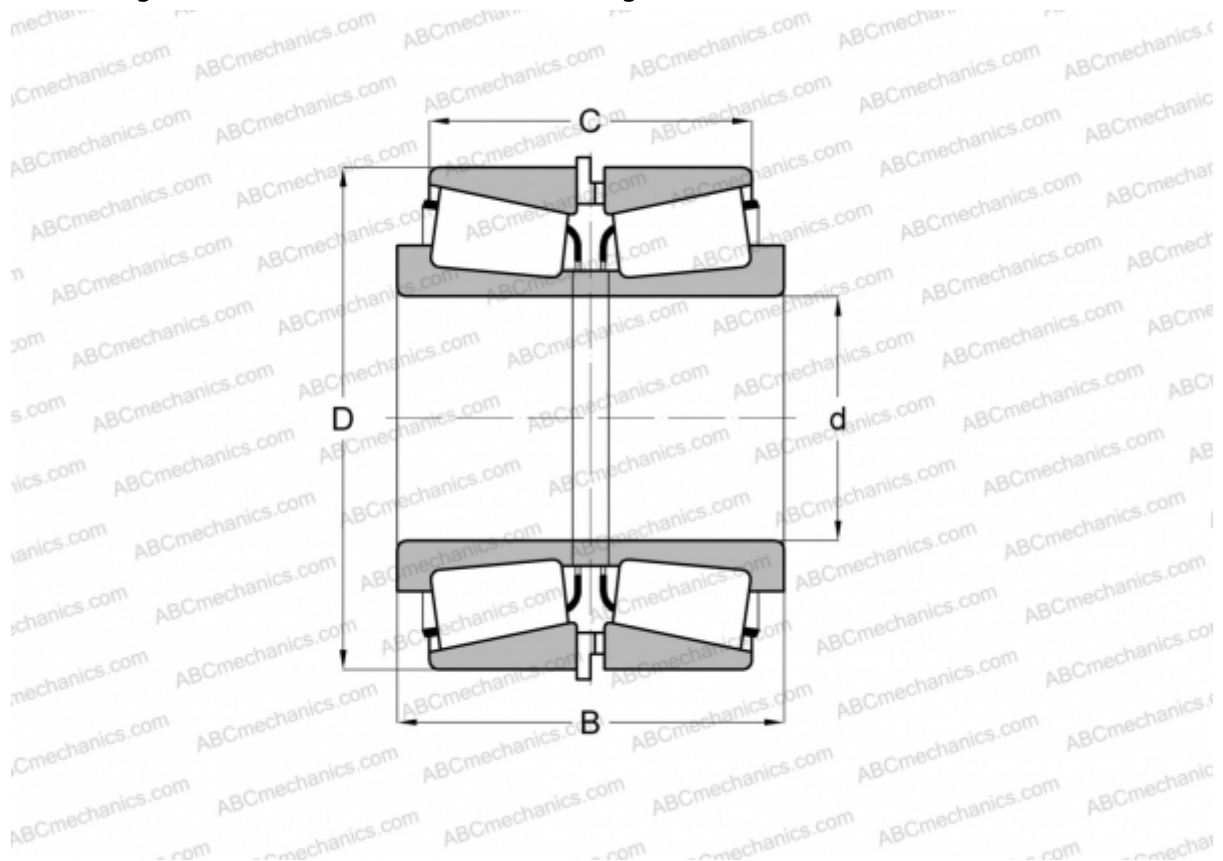


## 3876/3820 + X1S-25572 TIMKEN

Tapered roller bearings

TYPE: Roller bearings, Tapered, Tapered roller bearing assembly, Type 2TS-IM (X-mounting), two single row bearing with inner and outer distance rings



### Technical specification

#### DIMENSIONS, MM

d	38,100
D	85,725
B	67,183
C	54,483

**WEIGHT, KG** 1,710

**MANUFACTURER** [TIMKEN](#)