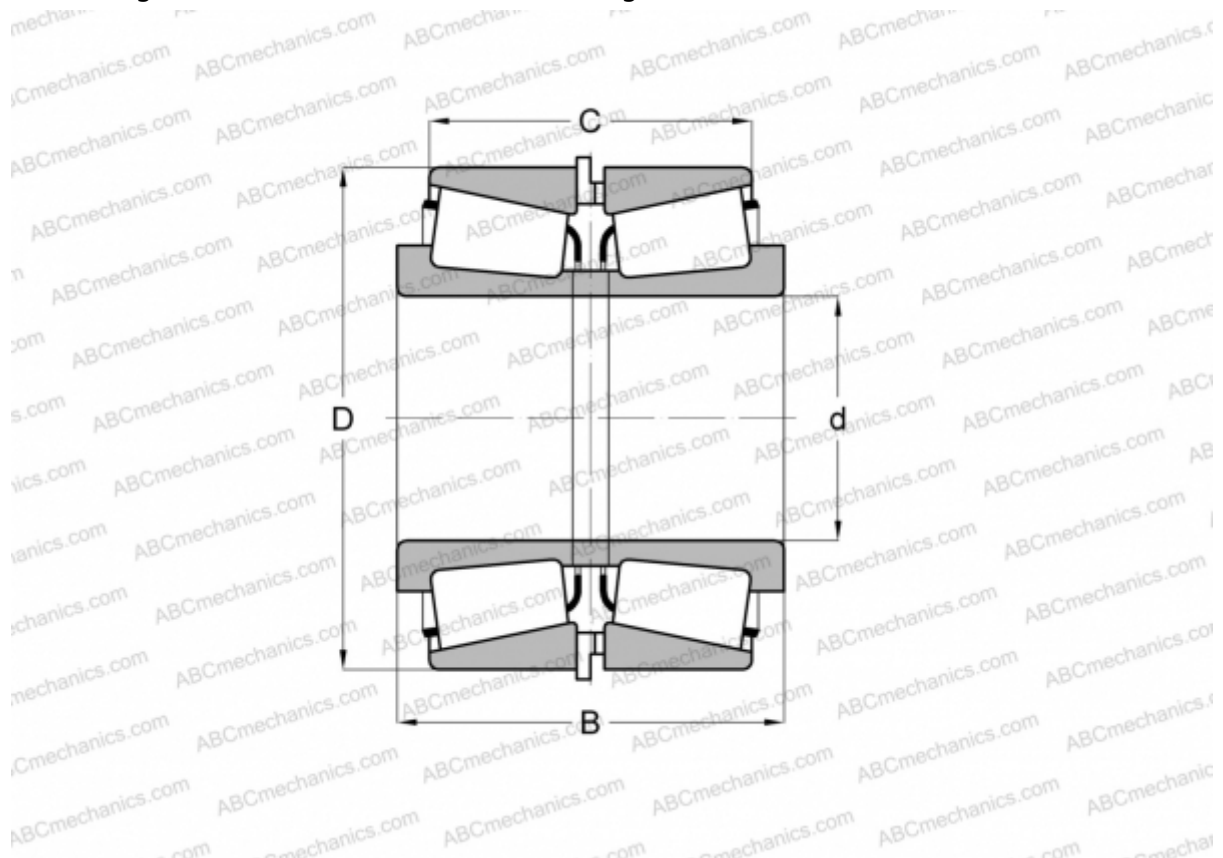


420/414 + K143256R/Y1H414 TIMKEN

Tapered roller bearings

TYPE: Roller bearings, Tapered, Tapered roller bearing assembly, Type 2TS-IM (X-mounting), two single row bearing with inner and outer distance rings



Technical specification

DIMENSIONS, MM

d	40,000
D	88,500
B	63,602
C	54,077

WEIGHT, KG 1,750

MANUFACTURER [TIMKEN](#)