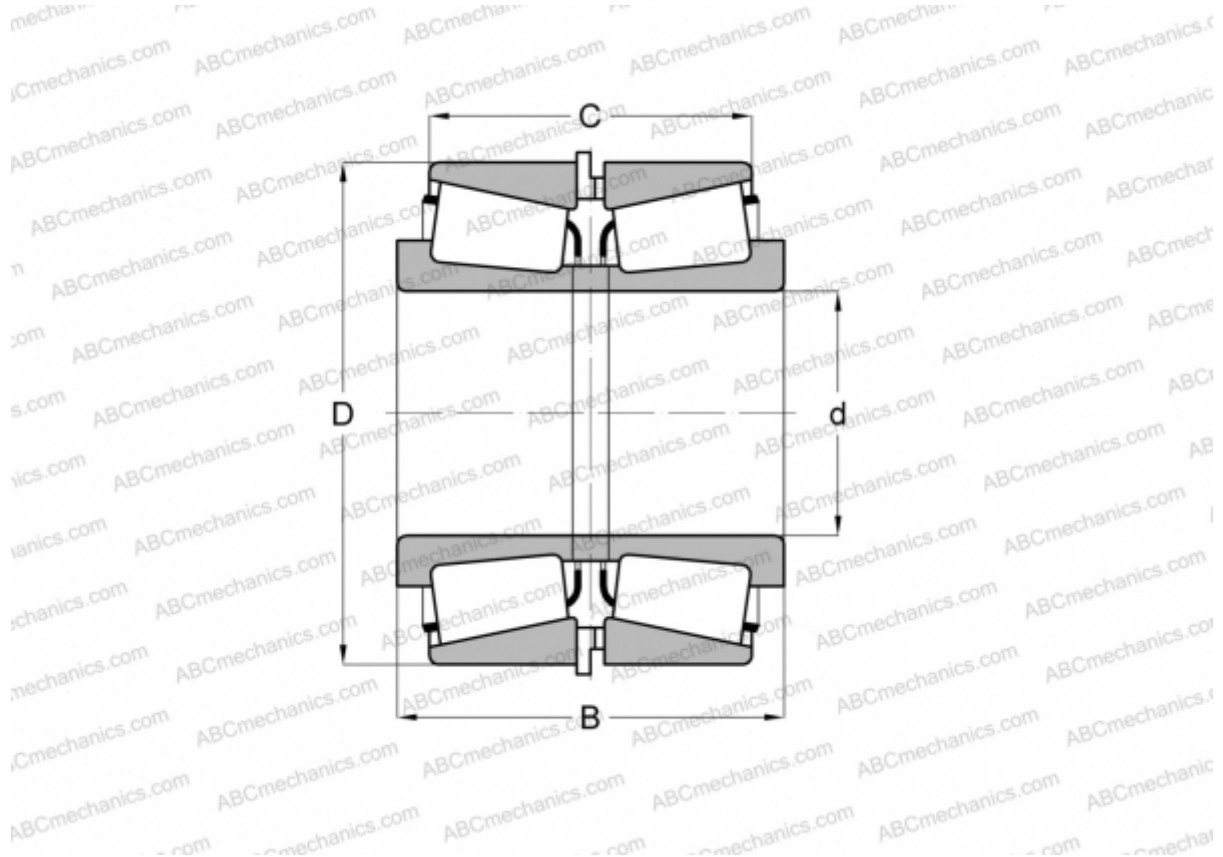


HM801349/HM801310 + HM801349XA

TIMKEN

Tapered roller bearings

TYPE: Roller bearings, Tapered, Tapered roller bearing assembly, Type 2TS-IM (X-mounting), two single row bearing with inner and outer distance rings



Technical specification

DIMENSIONS, MM

d	40,483
D	82,550
B	63,058
C	50,358

WEIGHT, KG 1,460

MANUFACTURER [TIMKEN](#)