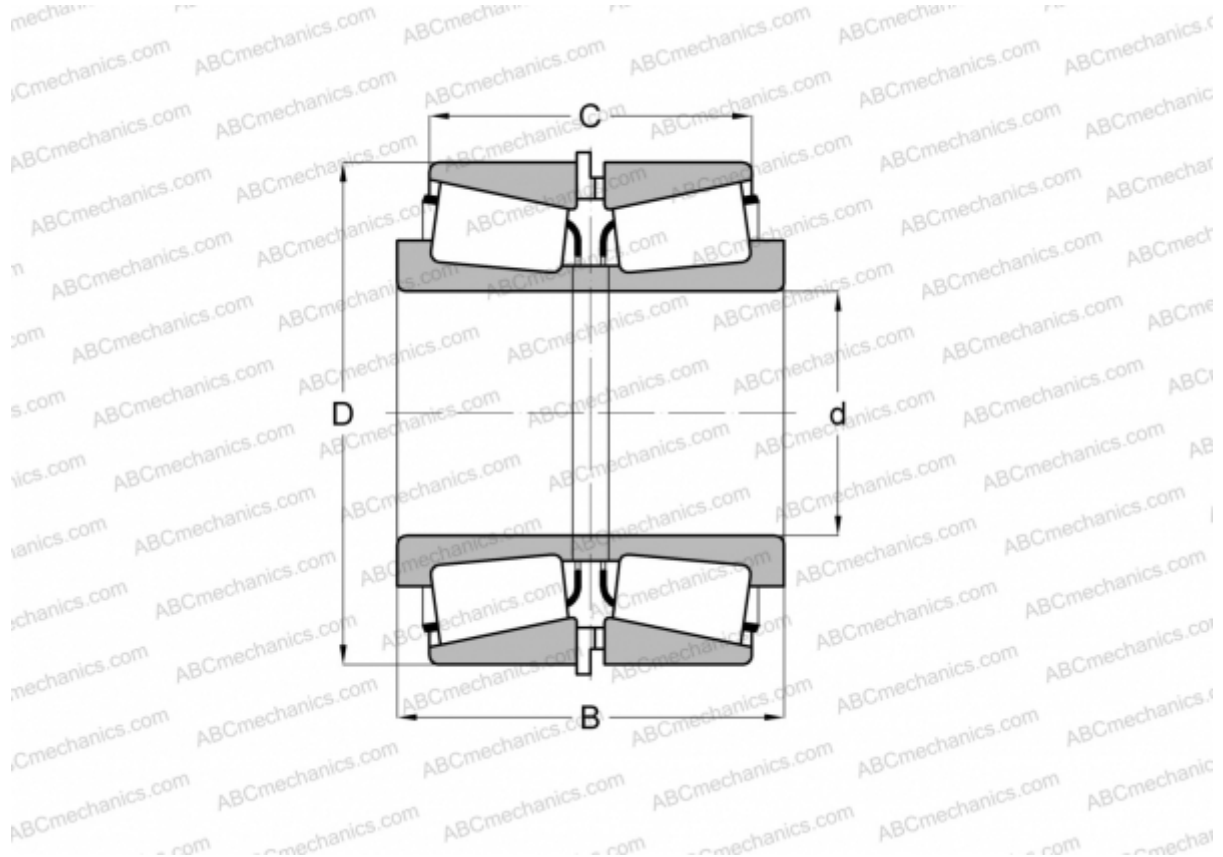


## JHM807045/JHM807012 + HM807045XA/HM807012ES TIMKEN

Tapered roller bearings

TYPE: Roller bearings, Tapered, Tapered roller bearing assembly, Type 2TS-IM (X-mounting), two single row bearing with inner and outer distance rings



### Technical specification

#### DIMENSIONS, MM

d	50,000
D	105,000
B	79,543
C	63,540

**WEIGHT, KG** 3,130

**MANUFACTURER** [TIMKEN](#)