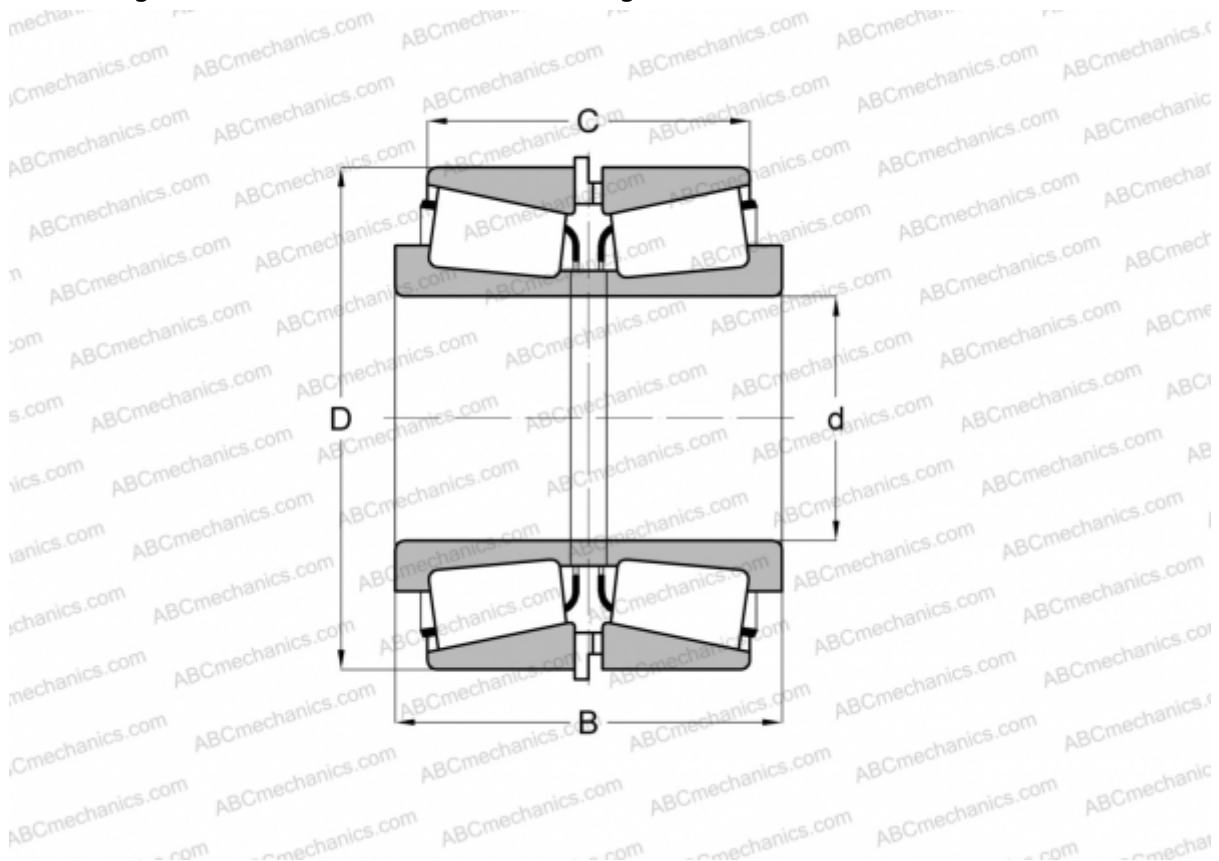


3780/3730 + K426900R TIMKEN

Tapered roller bearings

TYPE: Roller bearings, Tapered, Tapered roller bearing assembly, Type 2TS-IM (X-mounting), two single row bearing with inner and outer distance rings



Technical specification

DIMENSIONS, MM

d	50,800
D	93,264
B	64,287
C	51,587

WEIGHT, KG 1,740

MANUFACTURER [TIMKEN](#)