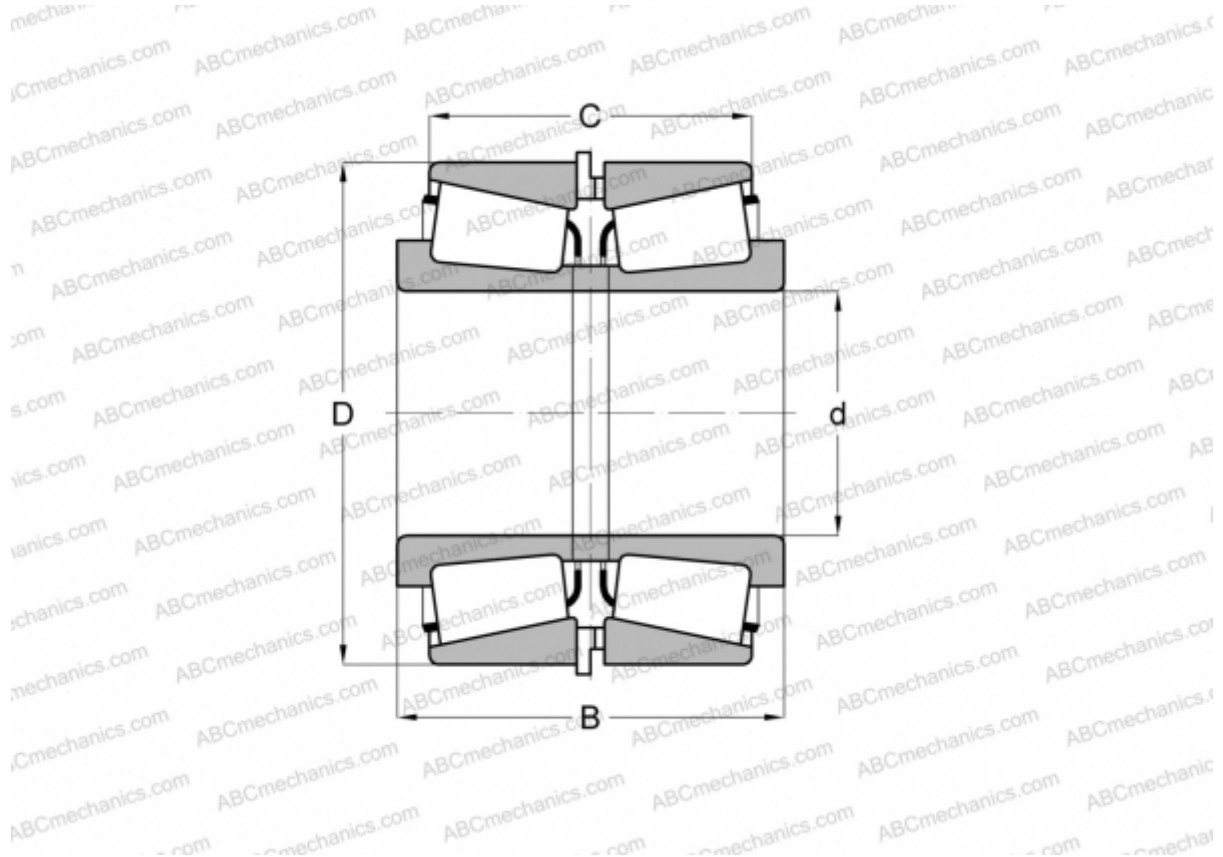


JM207049/JM207010 + X4S-385/M207010ES

TIMKEN

Tapered roller bearings

TYPE: Roller bearings, Tapered, Tapered roller bearing assembly, Type 2TS-IM (X-mounting), two single row bearing with inner and outer distance rings



Technical specification

DIMENSIONS, MM

| | |
|---|--------|
| d | 55,000 |
| D | 95,000 |
| B | 63,418 |
| C | 52,418 |

WEIGHT, KG 1,750

MANUFACTURER [TIMKEN](#)