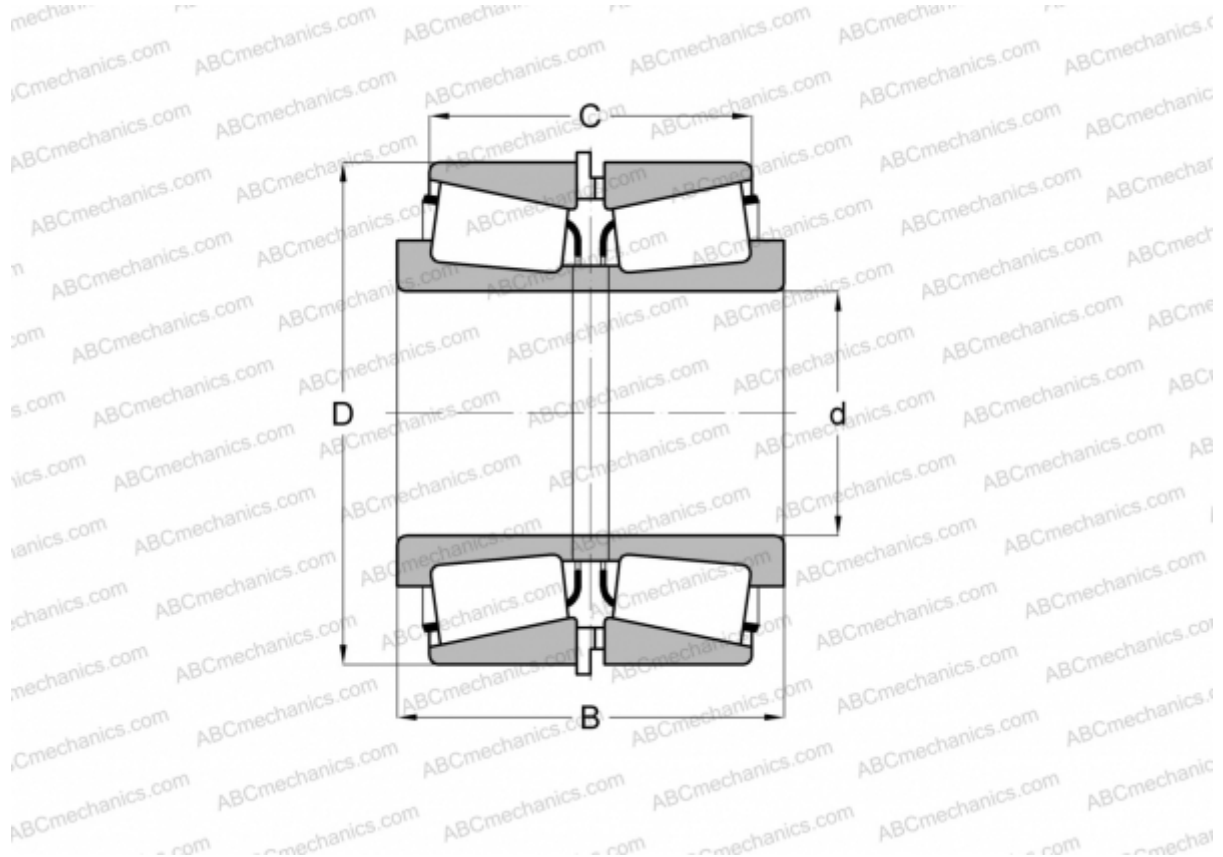


JM207049/JM207010 + M207049XA/M207010EB TIMKEN

Tapered roller bearings

TYPE: Roller bearings, Tapered, Tapered roller bearing assembly, Type 2TS-IM (X-mounting), two single row bearing with inner and outer distance rings



Technical specification

DIMENSIONS, MM

d	55,000
D	95,000
B	76,200
C	65,200

WEIGHT, KG 2,020

MANUFACTURER [TIMKEN](#)