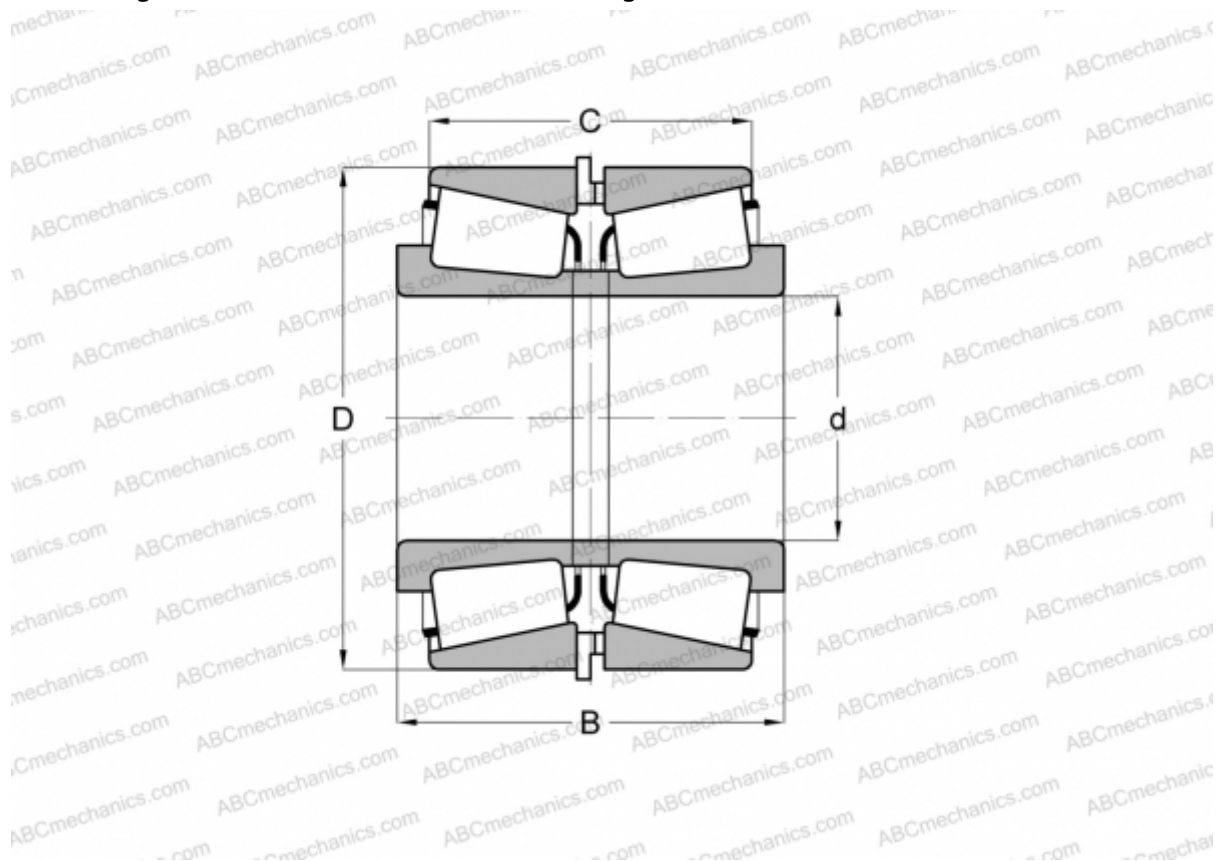


387A/382A + X1S-387/Y4S-382A TIMKEN

Tapered roller bearings

TYPE: Roller bearings, Tapered, Tapered roller bearing assembly, Type 2TS-IM (X-mounting), two single row bearing with inner and outer distance rings



Technical specification

DIMENSIONS, MM

d	57,150
D	96,838
B	49,174
C	38,923

WEIGHT, KG 1,290

MANUFACTURER [TIMKEN](#)