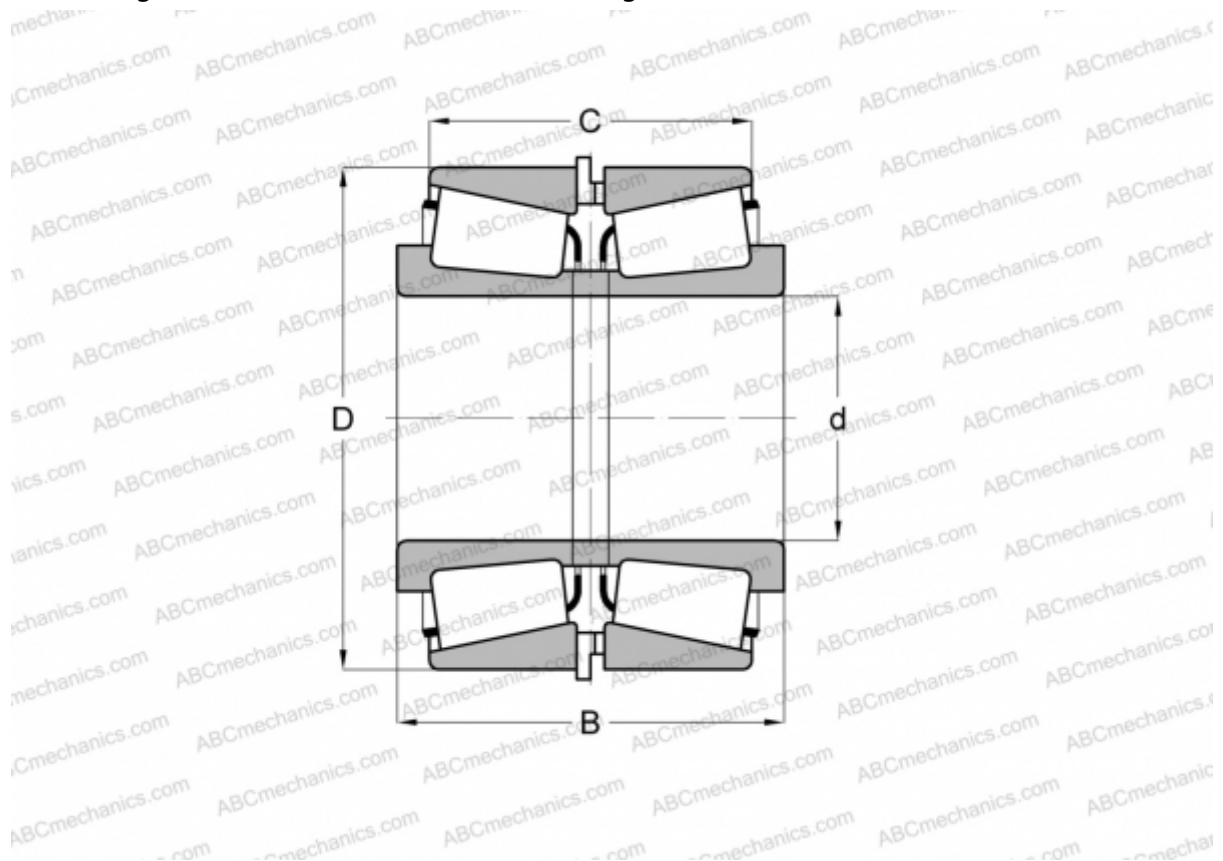


387A/382A + X3S-387A TIMKEN

Tapered roller bearings

TYPE: Roller bearings, Tapered, Tapered roller bearing assembly, Type 2TS-IM (X-mounting), two single row bearing with inner and outer distance rings



Technical specification

DIMENSIONS, MM

d	57,150
D	96,838
B	76,037
C	65,786

WEIGHT, KG 1,390

MANUFACTURER [TIMKEN](#)