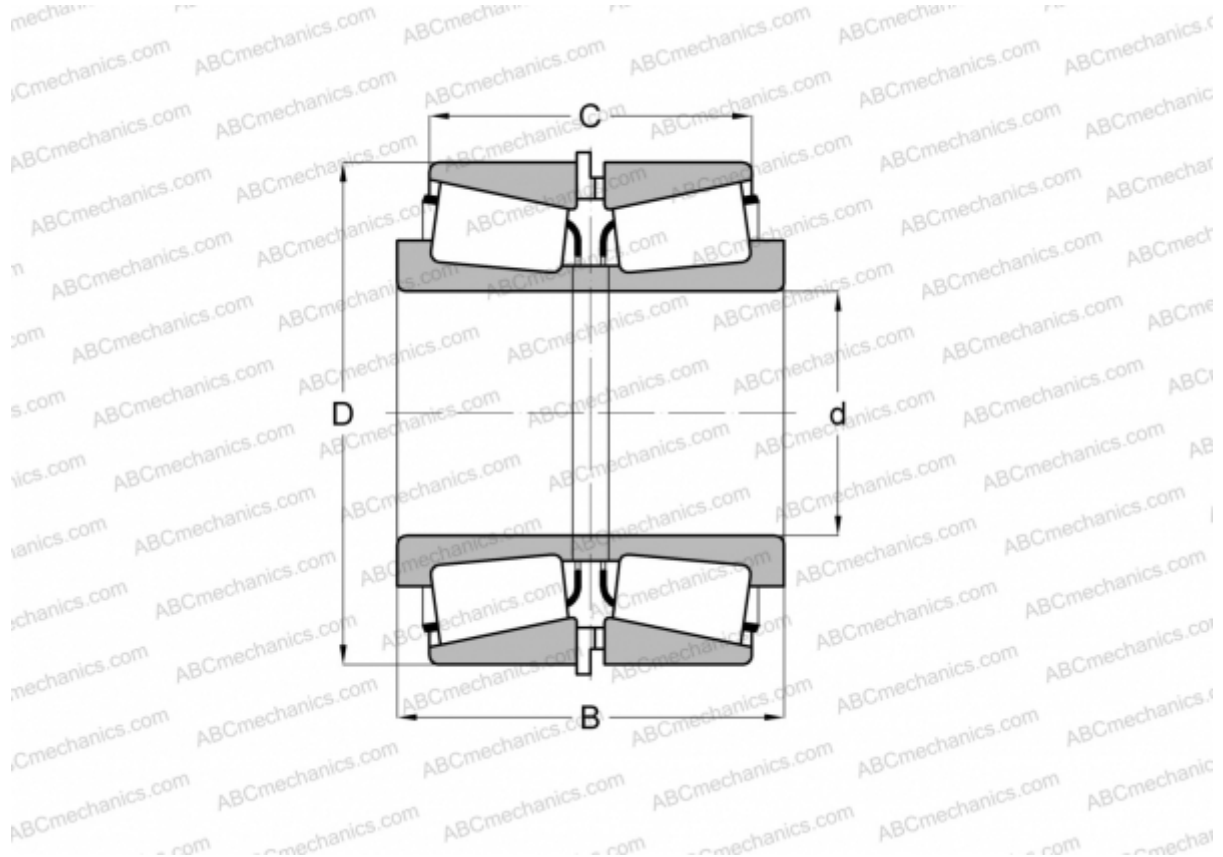


JLM508748/JLM508710 + LM508748XA/LM508710ES TIMKEN

Tapered roller bearings

TYPE: Roller bearings, Tapered, Tapered roller bearing assembly, Type 2TS-IM (X-mounting), two single row bearing with inner and outer distance rings



Technical specification

DIMENSIONS, MM

d	60,000
D	95,000
B	53,500
C	43,500

WEIGHT, KG 1,270

MANUFACTURER [TIMKEN](#)