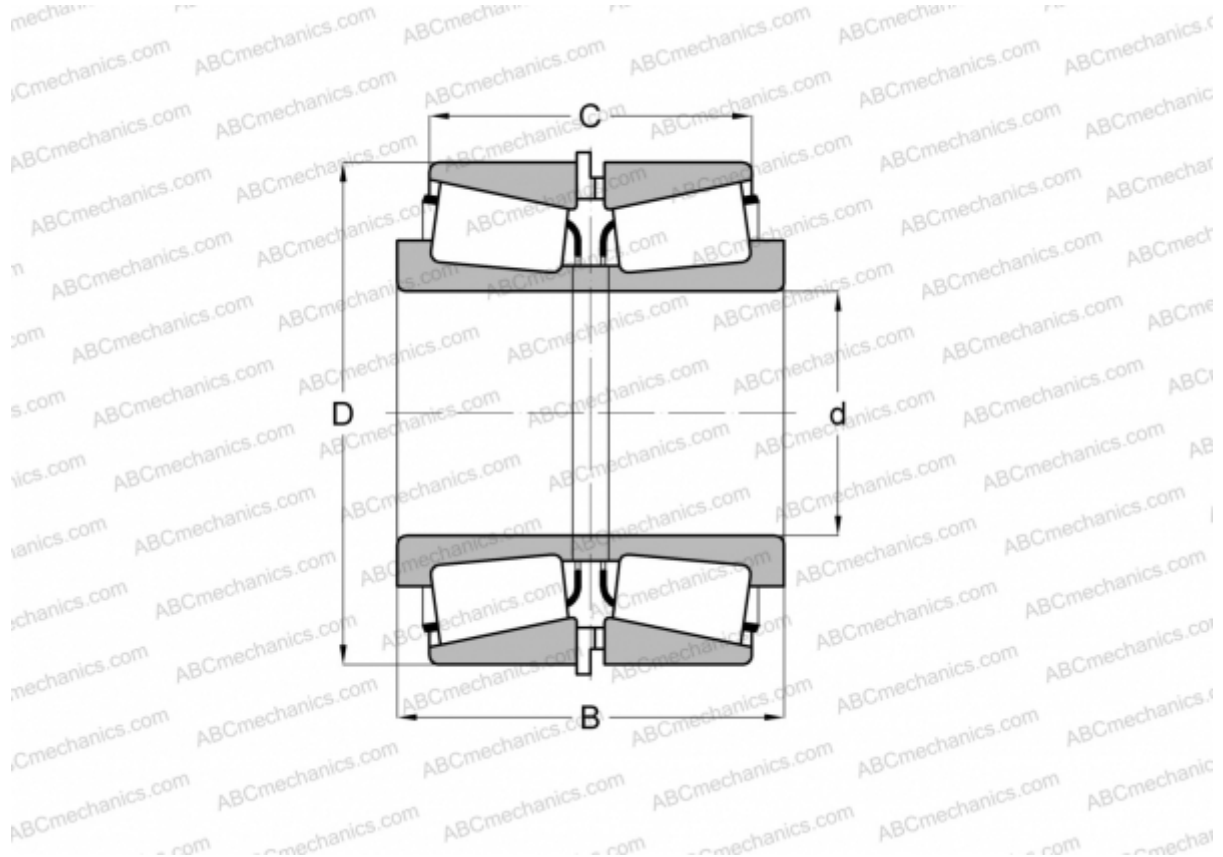


JLM710949C/JLM710910 + LM710949XA/LM710910ES TIMKEN

Tapered roller bearings

TYPE: Roller bearings, Tapered, Tapered roller bearing assembly, Type 2TS-IM (X-mounting), two single row bearing with inner and outer distance rings



Technical specification

DIMENSIONS, MM

d	65,000
D	105,000
B	53,515
C	42,515

WEIGHT, KG 1,620

MANUFACTURER [TIMKEN](#)