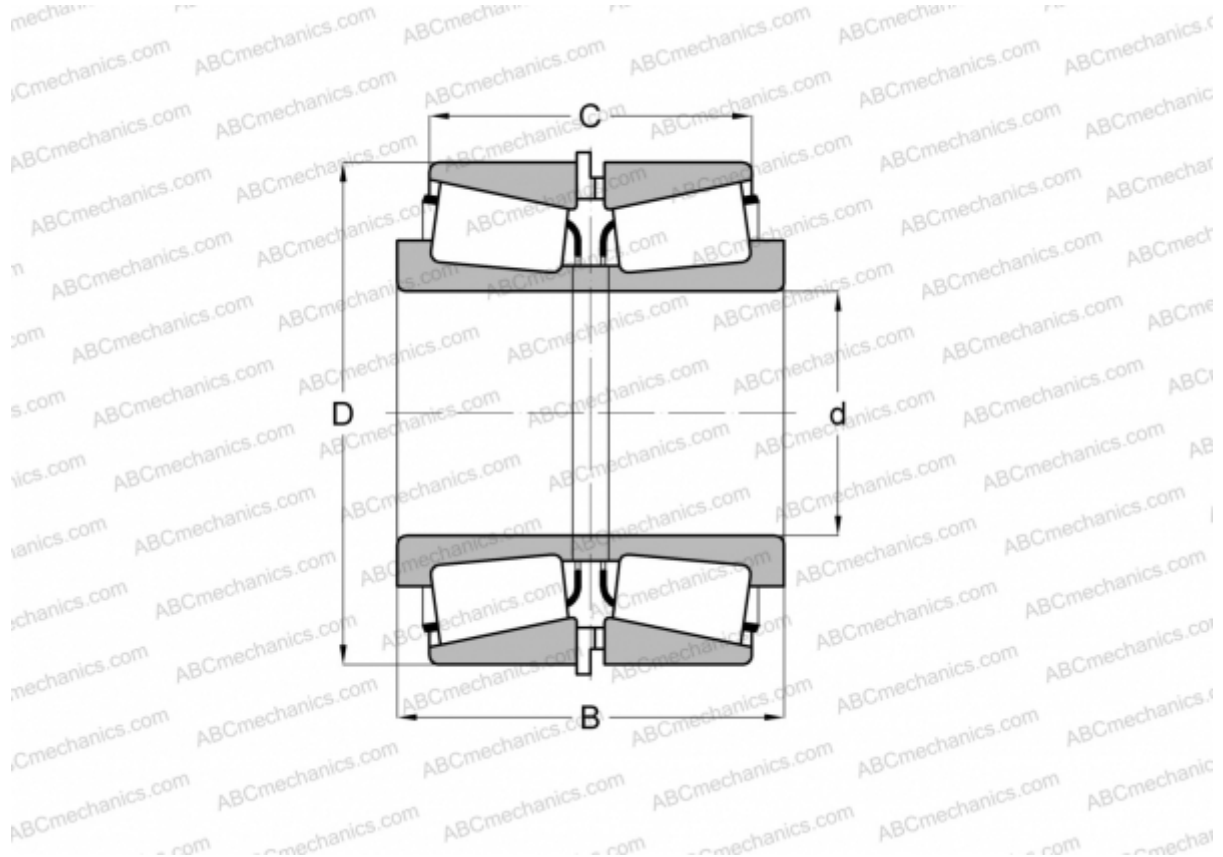


JLM710949C/JLM710910 + JX6526A/JYH10524-QH TIMKEN

Tapered roller bearings

TYPE: Roller bearings, Tapered, Tapered roller bearing assembly, Type 2TS-IM (X-mounting), two single row bearing with inner and outer distance rings



Technical specification

DIMENSIONS, MM

d	65,000
D	105,000
B	72,365
C	61,365

WEIGHT, KG 1,990

MANUFACTURER [TIMKEN](#)