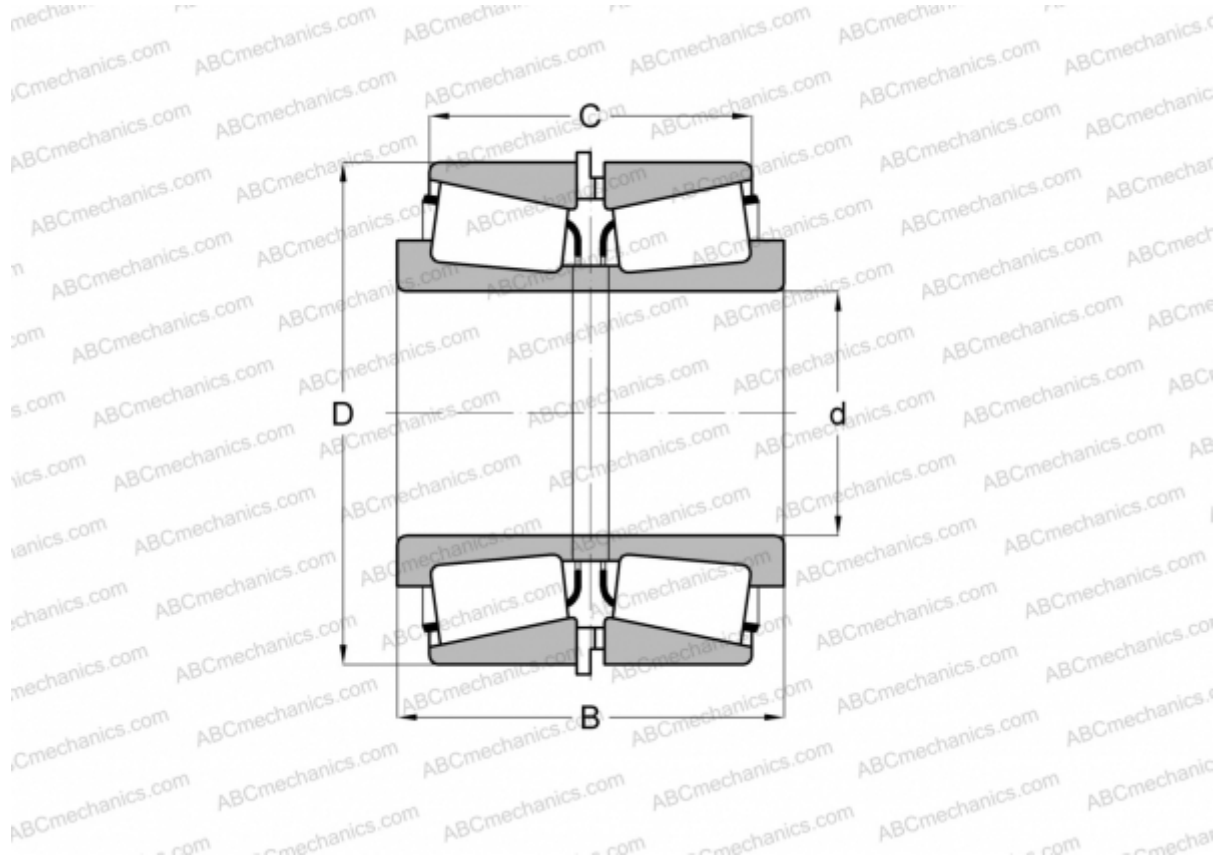


JM511946/JM511910 + M511946XA/M511910ES TIMKEN

Tapered roller bearings

TYPE: Roller bearings, Tapered, Tapered roller bearing assembly, Type 2TS-IM (X-mounting), two single row bearing with inner and outer distance rings



Technical specification

DIMENSIONS, MM

d	65,000
D	110,000
B	61,491
C	50,488

WEIGHT, KG 2,240

MANUFACTURER [TIMKEN](#)