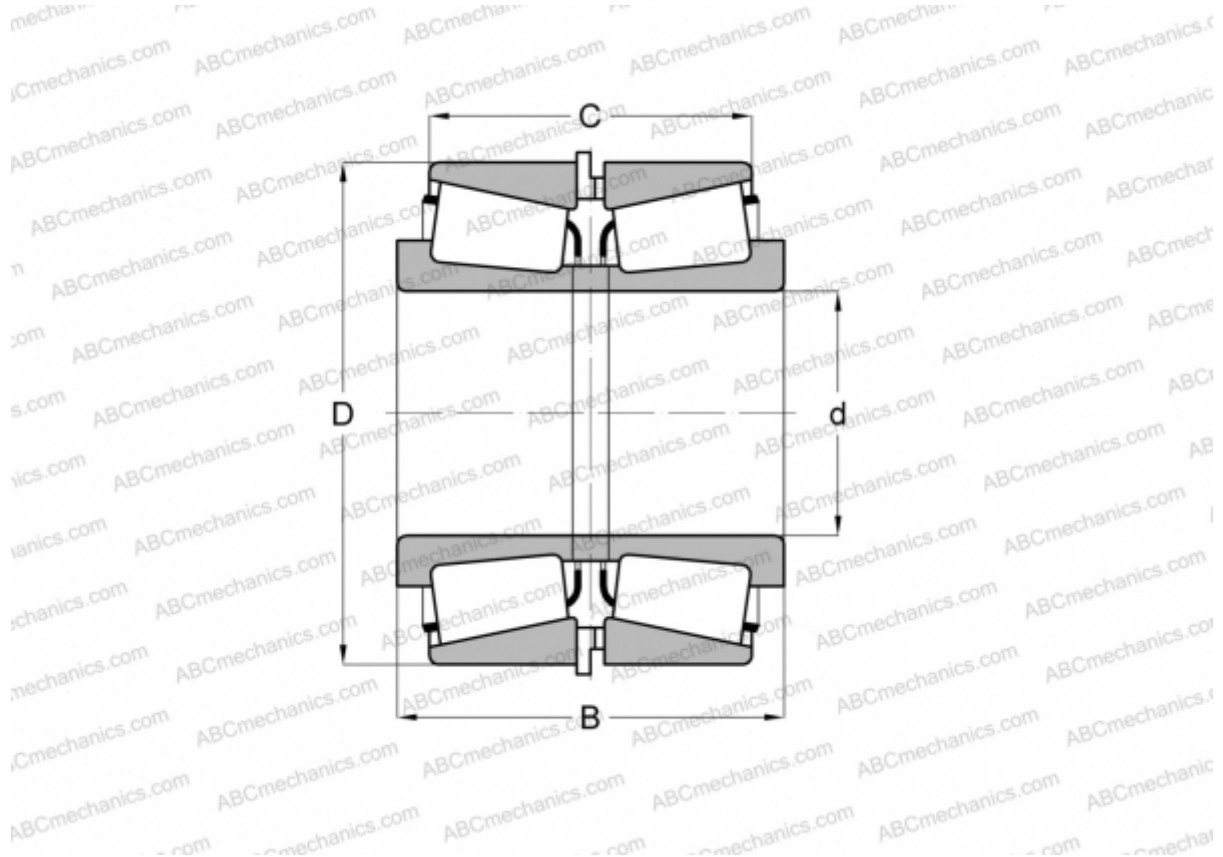


H715341/H715311 + H715341XA/H715311EB

TIMKEN

Tapered roller bearings

TYPE: Roller bearings, Tapered, Tapered roller bearing assembly, Type 2TS-IM (X-mounting), two single row bearing with inner and outer distance rings



Technical specification

DIMENSIONS, MM

d	66,675
D	136,525
B	98,425
C	79,375

WEIGHT, KG 6,940

MANUFACTURER [TIMKEN](#)