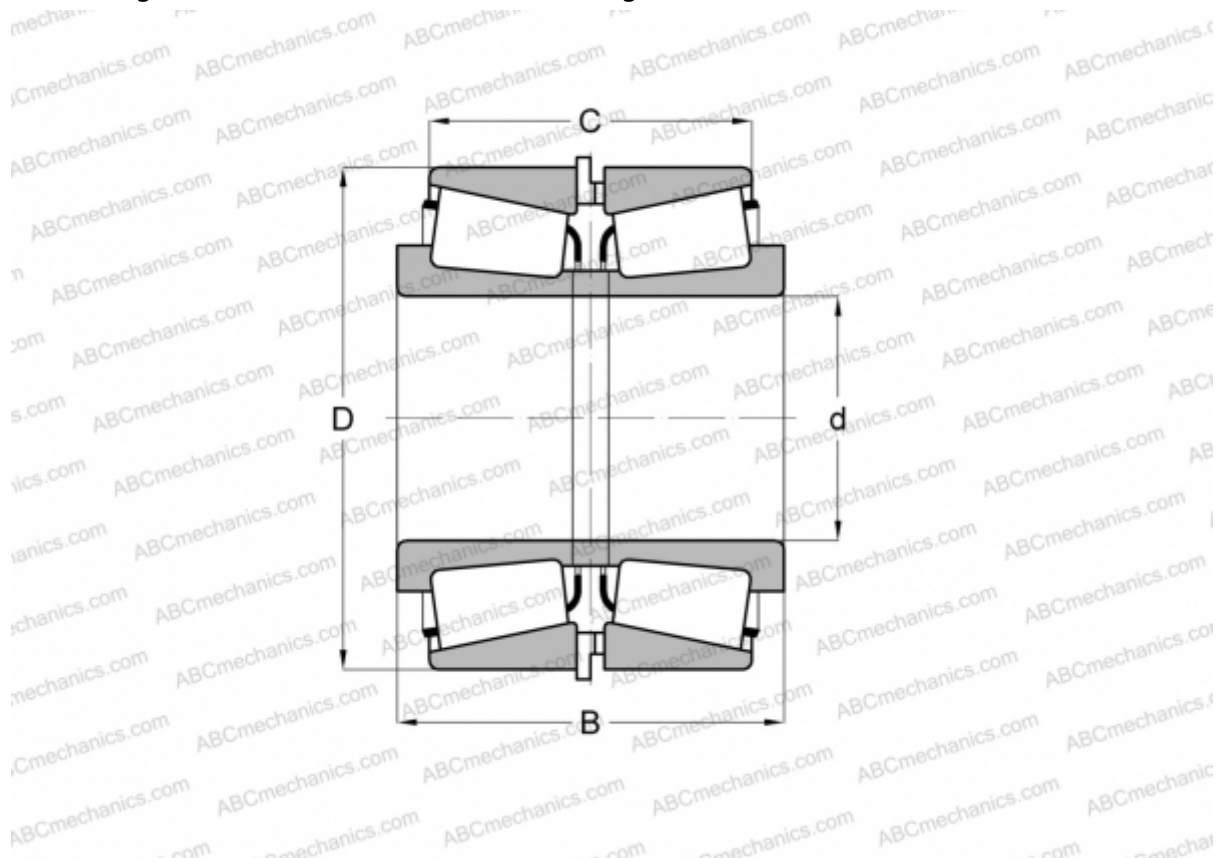


## 399A/394A + X7S-399A/Y7S-394A TIMKEN

Tapered roller bearings

TYPE: Roller bearings, Tapered, Tapered roller bearing assembly, Type 2TS-IM (X-mounting), two single row bearing with inner and outer distance rings



### Technical specification

#### DIMENSIONS, MM

d	68,262
D	110,000
B	79,045
C	72,695

**WEIGHT, KG** 2,580

**MANUFACTURER** [TIMKEN](#)