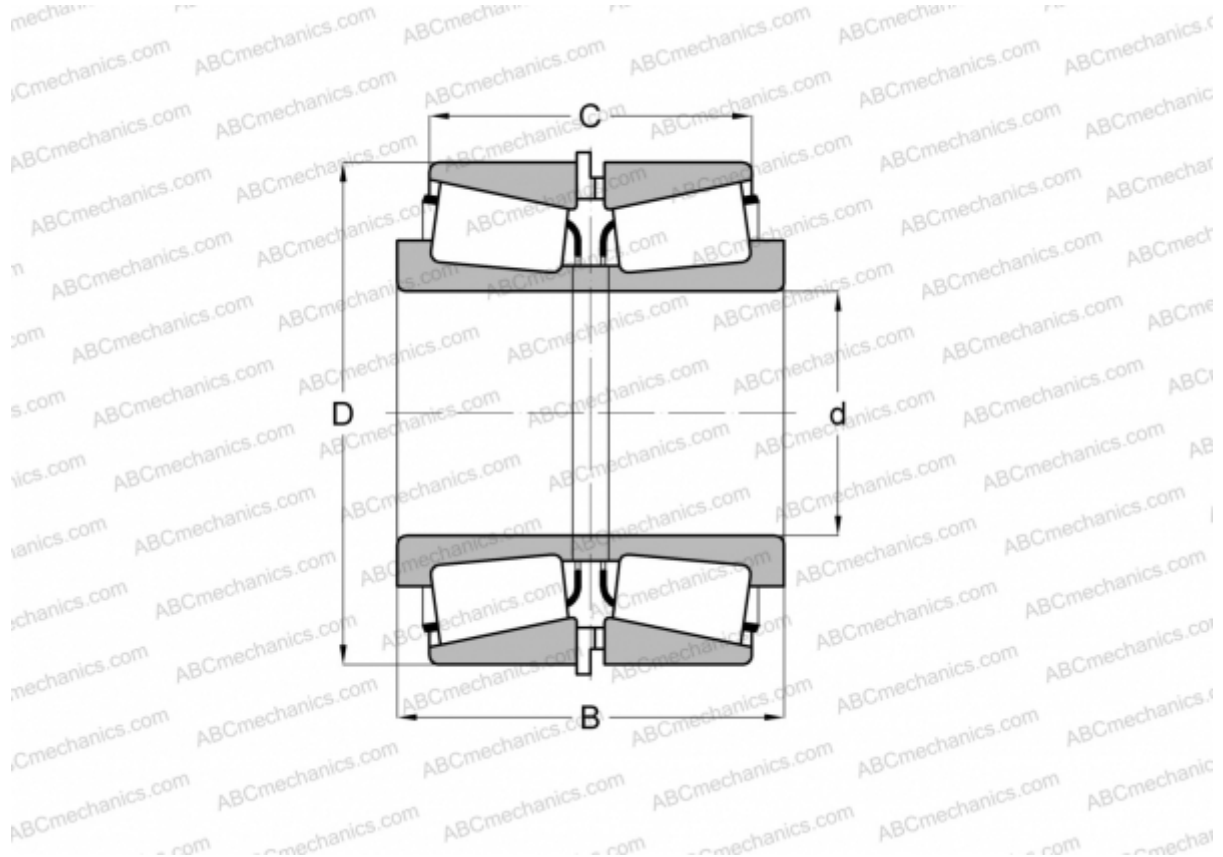


HM813846/HM813811 + HM813846XA/HM813811EB TIMKEN

Tapered roller bearings

TYPE: Roller bearings, Tapered, Tapered roller bearing assembly, Type 2TS-IM (X-mounting), two single row bearing with inner and outer distance rings



Technical specification

DIMENSIONS, MM

d	69,850
D	127,000
B	95,250
C	76,200

WEIGHT, KG 4,520

MANUFACTURER [TIMKEN](#)