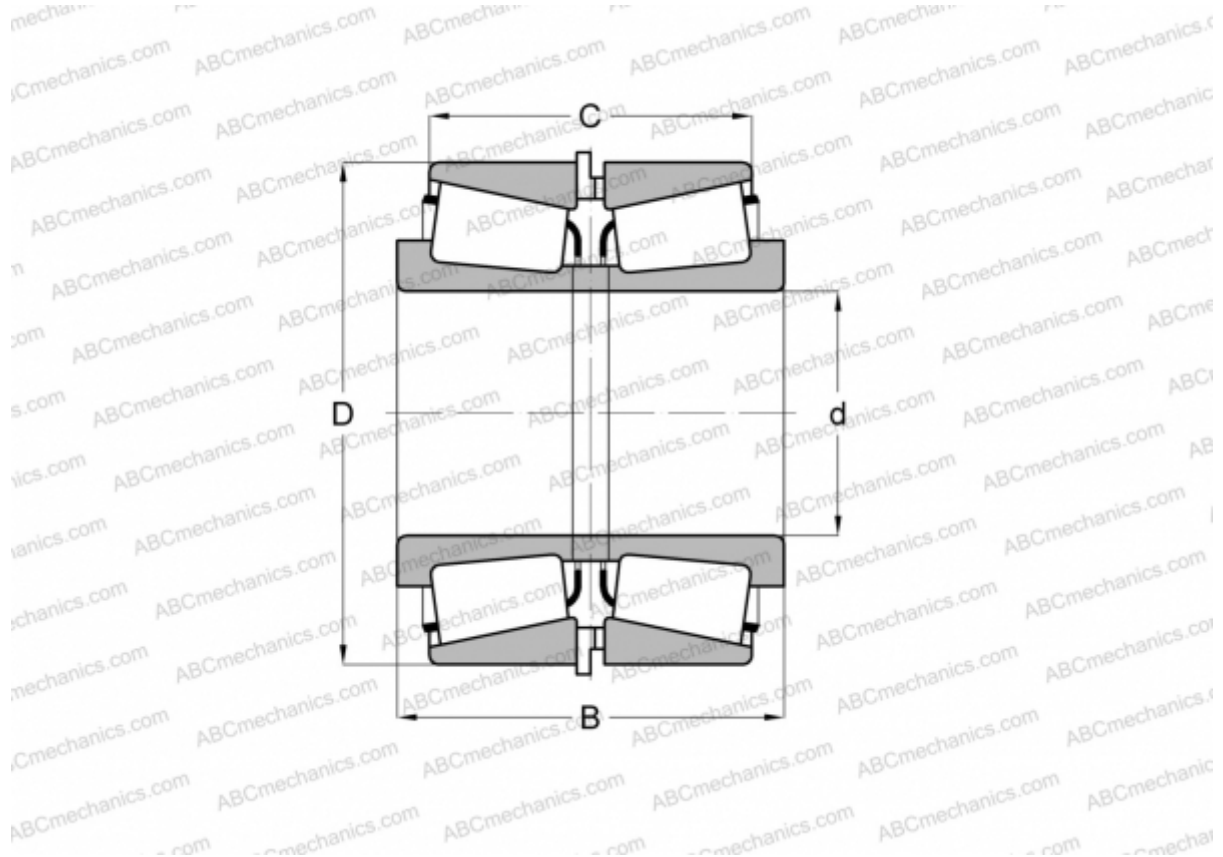


H913849/H913810 + H913849XE/H913810ES

TIMKEN

Tapered roller bearings

TYPE: Roller bearings, Tapered, Tapered roller bearing assembly, Type 2TS-IM (X-mounting), two single row bearing with inner and outer distance rings



Technical specification

DIMENSIONS, MM

d	69,850
D	146,050
B	88,900
C	57,150

WEIGHT, KG 6,100

MANUFACTURER [TIMKEN](#)