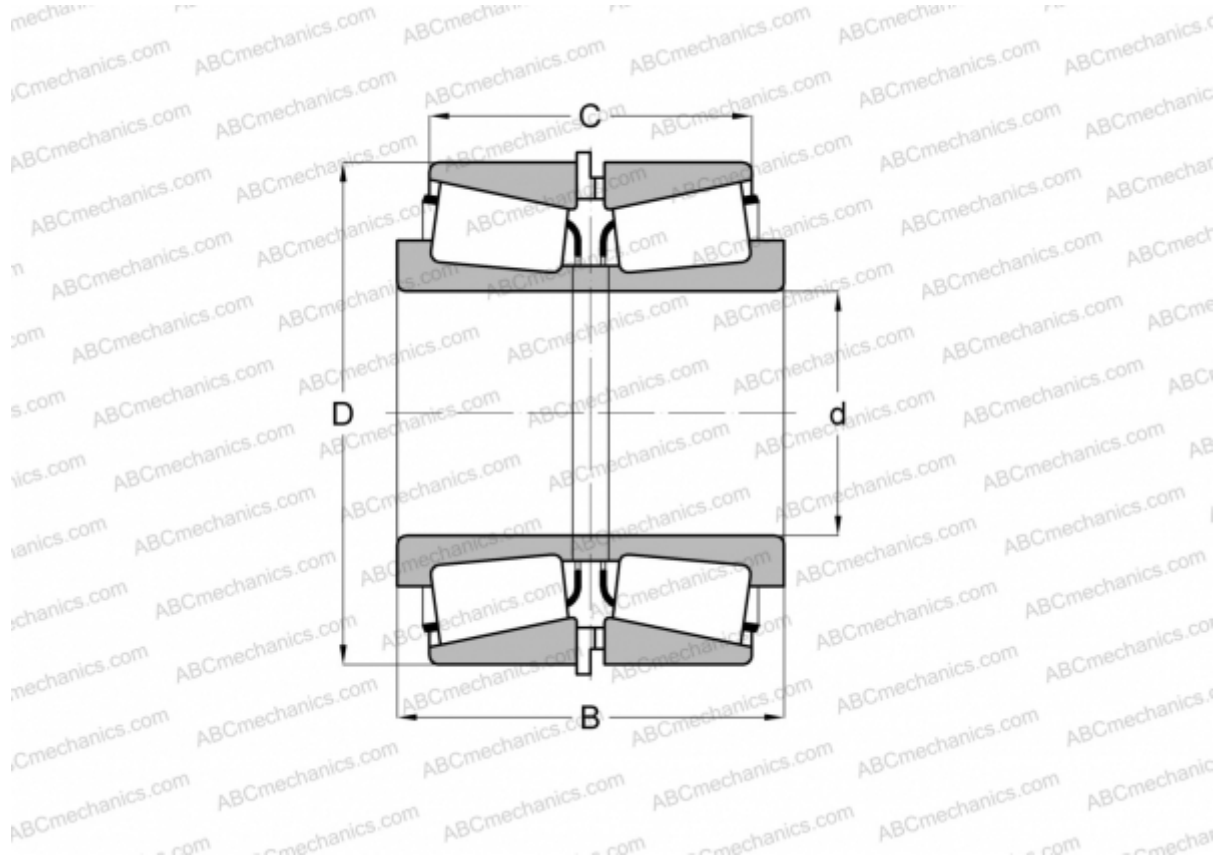


JLM714149/JLM714110 + LM714149XB/LM714110ES TIMKEN

Tapered roller bearings

TYPE: Roller bearings, Tapered, Tapered roller bearing assembly, Type 2TS-IM (X-mounting), two single row bearing with inner and outer distance rings



Technical specification

DIMENSIONS, MM

d	75,000
D	115,000
B	55,504
C	43,504

WEIGHT, KG 1,880

MANUFACTURER [TIMKEN](#)