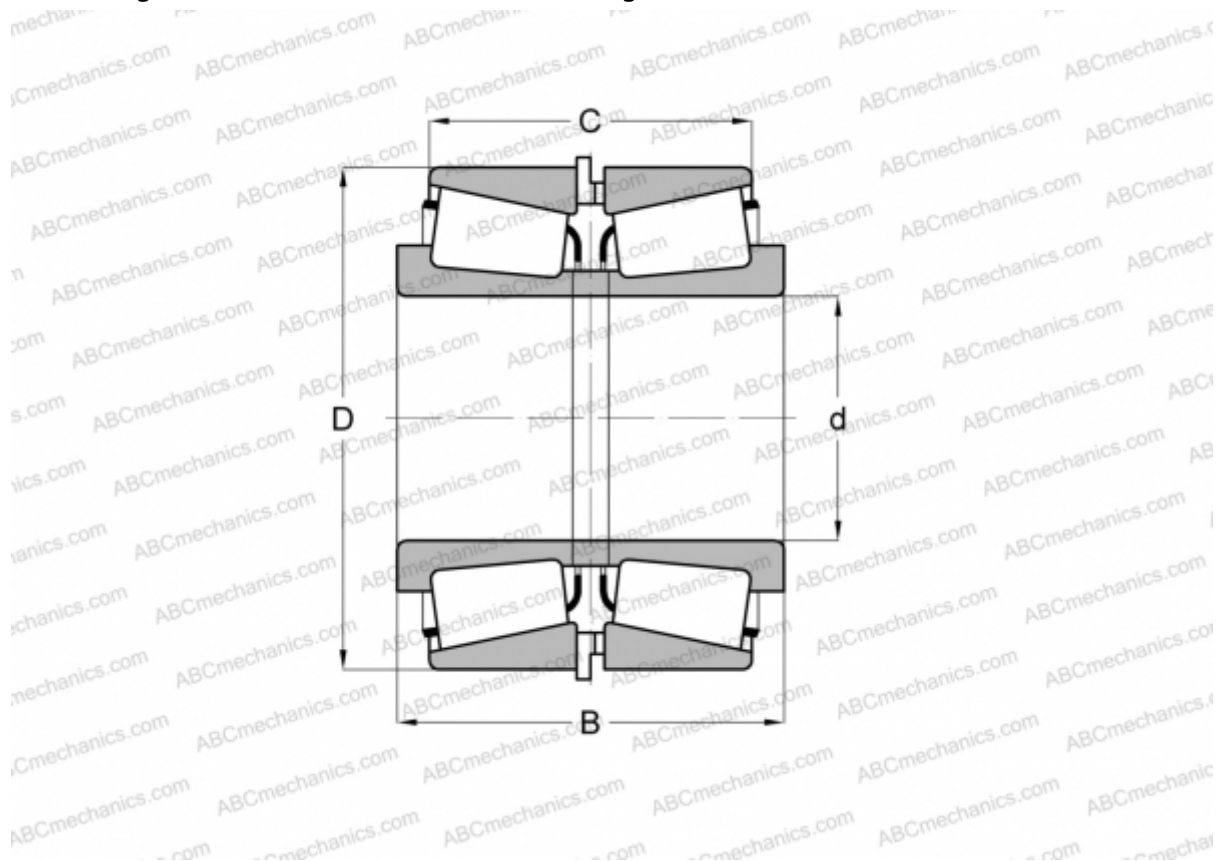


## 9380/9321 + X5S-9380/Y6S-9321 TIMKEN

Tapered roller bearings

TYPE: Roller bearings, Tapered, Tapered roller bearing assembly, Type 2TS-IM (X-mounting), two single row bearing with inner and outer distance rings



### Technical specification

#### DIMENSIONS, MM

d	76,200
D	171,450
B	112,712
C	77,788

**WEIGHT, KG** 11,340

**MANUFACTURER** [TIMKEN](#)