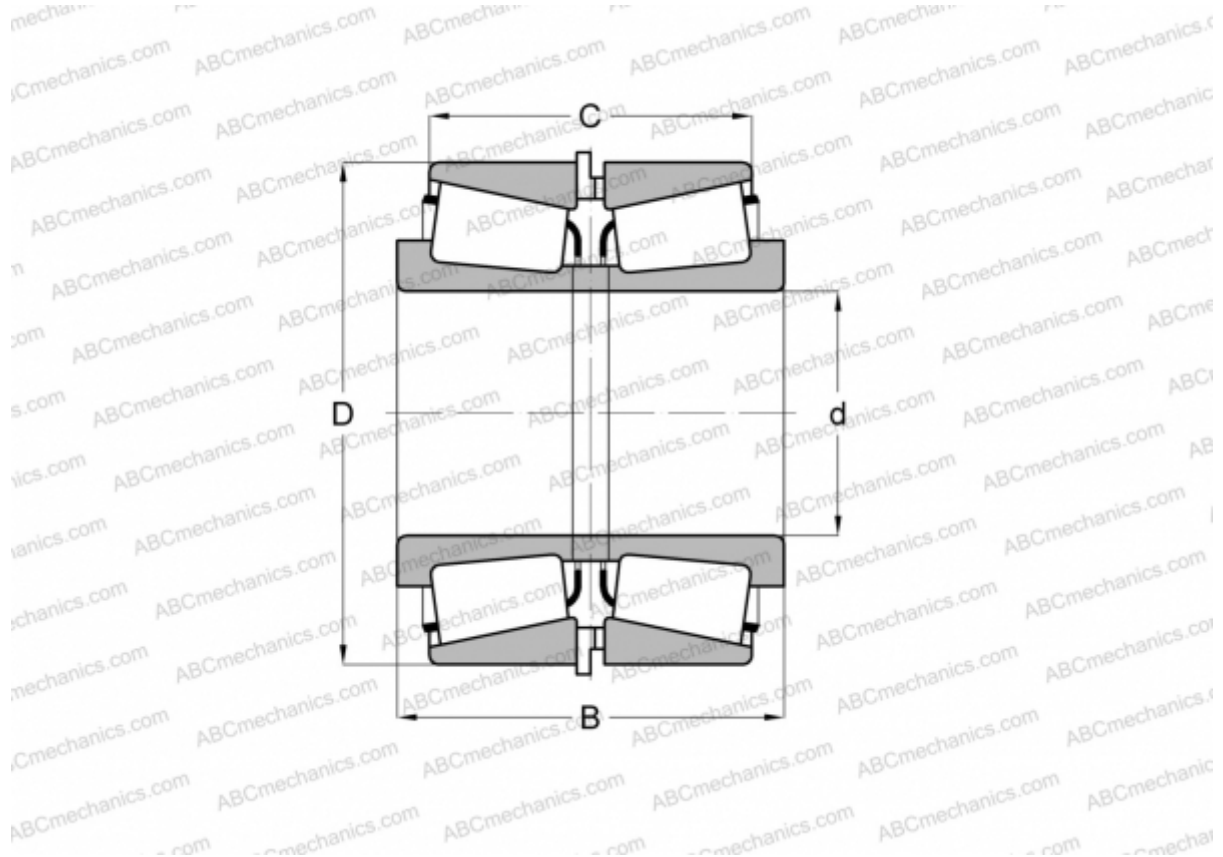


H917840/H917810 + H917840XA/H917810EA

TIMKEN

Tapered roller bearings

TYPE: Roller bearings, Tapered, Tapered roller bearing assembly, Type 2TS-IM (X-mounting), two single row bearing with inner and outer distance rings



Technical specification

DIMENSIONS, MM

d	76,200
D	180,975
B	114,300
C	77,790

WEIGHT, KG 13,840

MANUFACTURER [TIMKEN](#)