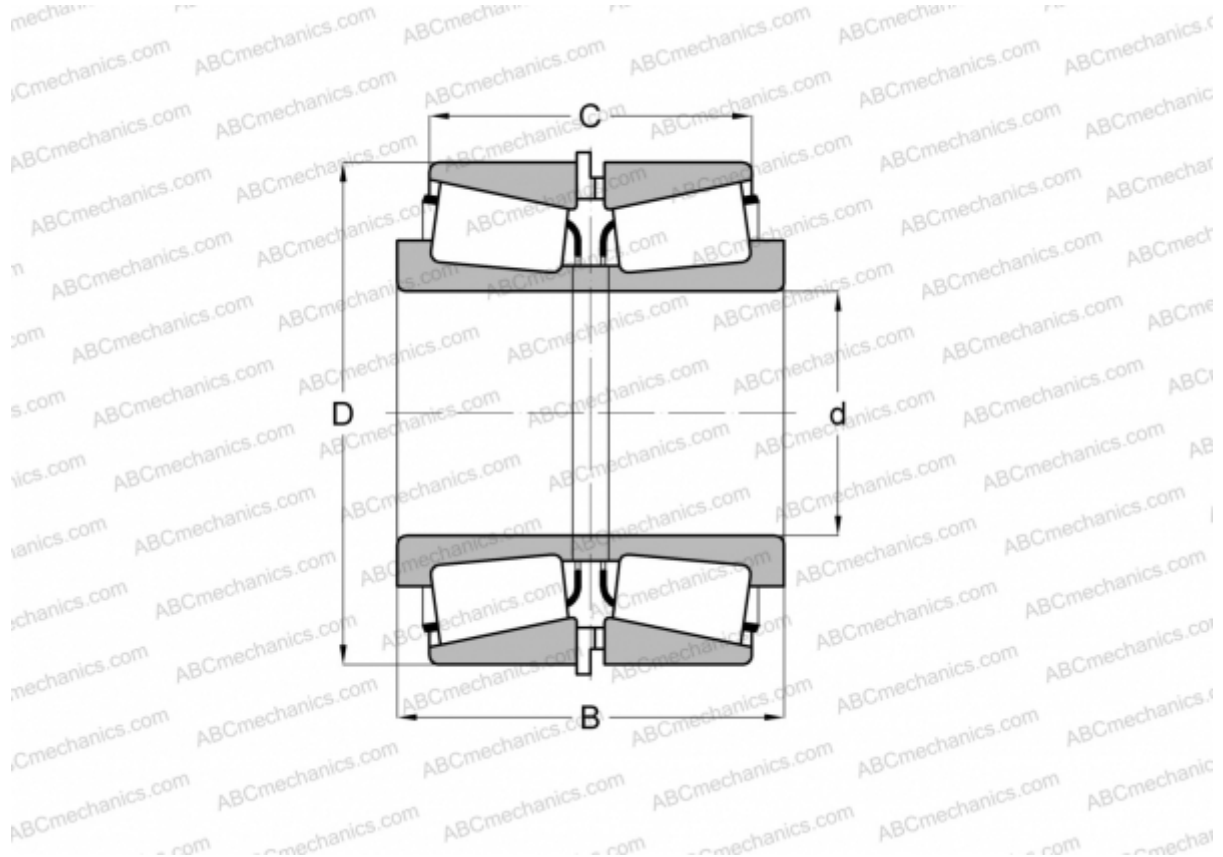


JHM318448/JHM318410 + HM318448XA/HM318410ES TIMKEN

Tapered roller bearings

TYPE: Roller bearings, Tapered, Tapered roller bearing assembly, Type 2TS-IM (X-mounting), two single row bearing with inner and outer distance rings



Technical specification

DIMENSIONS, MM

d	90,000
D	155,000
B	97,314
C	80,314

WEIGHT, KG 6,970

MANUFACTURER [TIMKEN](#)